

THA 2005  
PL-CFFCA-ARL

# MODEL OF AIRCONDITIONS

# CFFCA

# PARTS LIST



MULTIAQUA, INC.

2701 S.W. 145 AVENUE, SUITE #220

MIRAMAR, FLORIDA 33027 U.S.A.

Tel: (954) 431-1300 • Fax: (954) 431-1303 • email: [support@multiaqua.com](mailto:support@multiaqua.com)

[www.multiaqua.com](http://www.multiaqua.com)

2005/6-01

**FOR COOL ONLY SYSTEM**

# GENERAL INFORMATION

This parts list shows all the parts used in your airconditioner for model CCFF.

Please file this parts list for reference and refer to it when you order parts or maintain the airconditioner.

This edition has been divided into section. Each section corresponds to one of the 11 different units making up the air condition.

## Unit No.

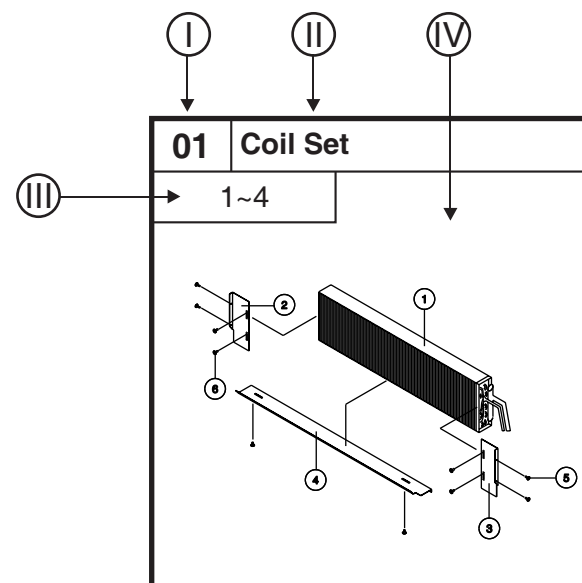
- 01 Coil set
- 02 Cabinet set
- 03 Motor and blower set
- 04 Grille set
- 05 Front panel set
- 06 Wire Set for Wireless
- 07 Remote for Wireless
- 08 Remote for Wired Wireless
- 09 Remote long body
- 10 Receiver for Wireless
- 11 Receiver

The scale used on each page of drawing is different. Please be aware that parts may seem to be different sizes on different pages.

Specifications subject to change without notice.

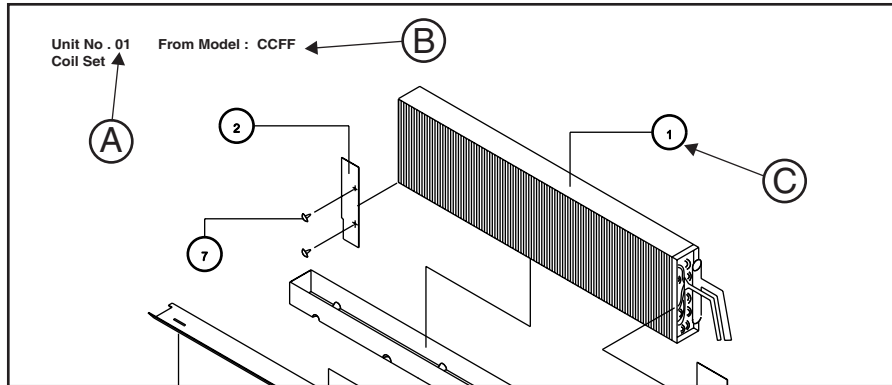
# INTRODUCTION

## 1. TABLE OF CONTENTS



- (I) Unit number
- (II) Unit Name
- (III) Corresponding Page Nos.
- (IV) Assembly drawings shown in the main text.

## 2. MAIN TEXT



Index No.	Parts No.	Parts Name	Drawing No.	Type (Marker)	Quantity						Note	
					04	06	08	10	12	16		20
1		Coil Assy										
		Coil Cool Size: 8x30x2Rx2C	DG-DC-CO-AG-04-		1							
		Coil Cool Size: 8x30x3Rx3C				1						
		Coil Cool Size: 8x30x4Rx4C					1					
		Coil Cool Size: 10x40x3Rx4C						1				
		Coil Cool Size: 10x40x3Rx4C							1			
		Coil Cool Size: 10x59.5x3Rx8C								1		

### (A) Unit Number and Name

The Unit Number and Name are shown on relevant pages.

### (B) Machine Model

The Model of machine corresponding to the information shown.

### (C) Index Number

The Index Number for each part in a drawing is shown and corresponds to the list of parts for that drawing.

### (D) Parts Number

The individual Code No for each part the Model CCFF is shown.

### (E) Parts Name

The Name (description) of each part.

### (F) Drawing Number

The Number of drawing relevant to the part are given.

### (G) Type (Maker)

The type description and manufacturer of each marketed item are shown.

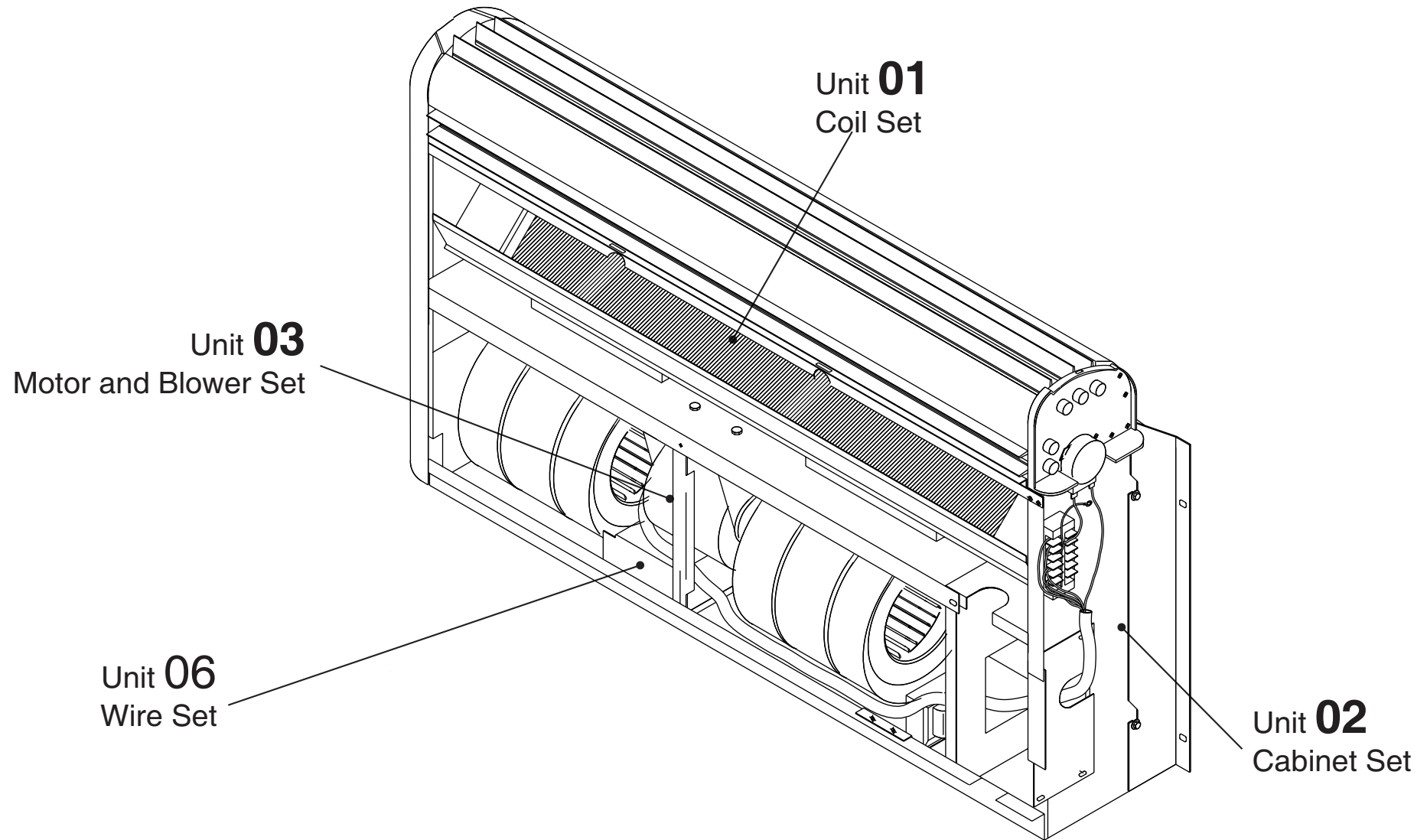
### (H) Quantity

The quantity of each part used on the each capacitor.

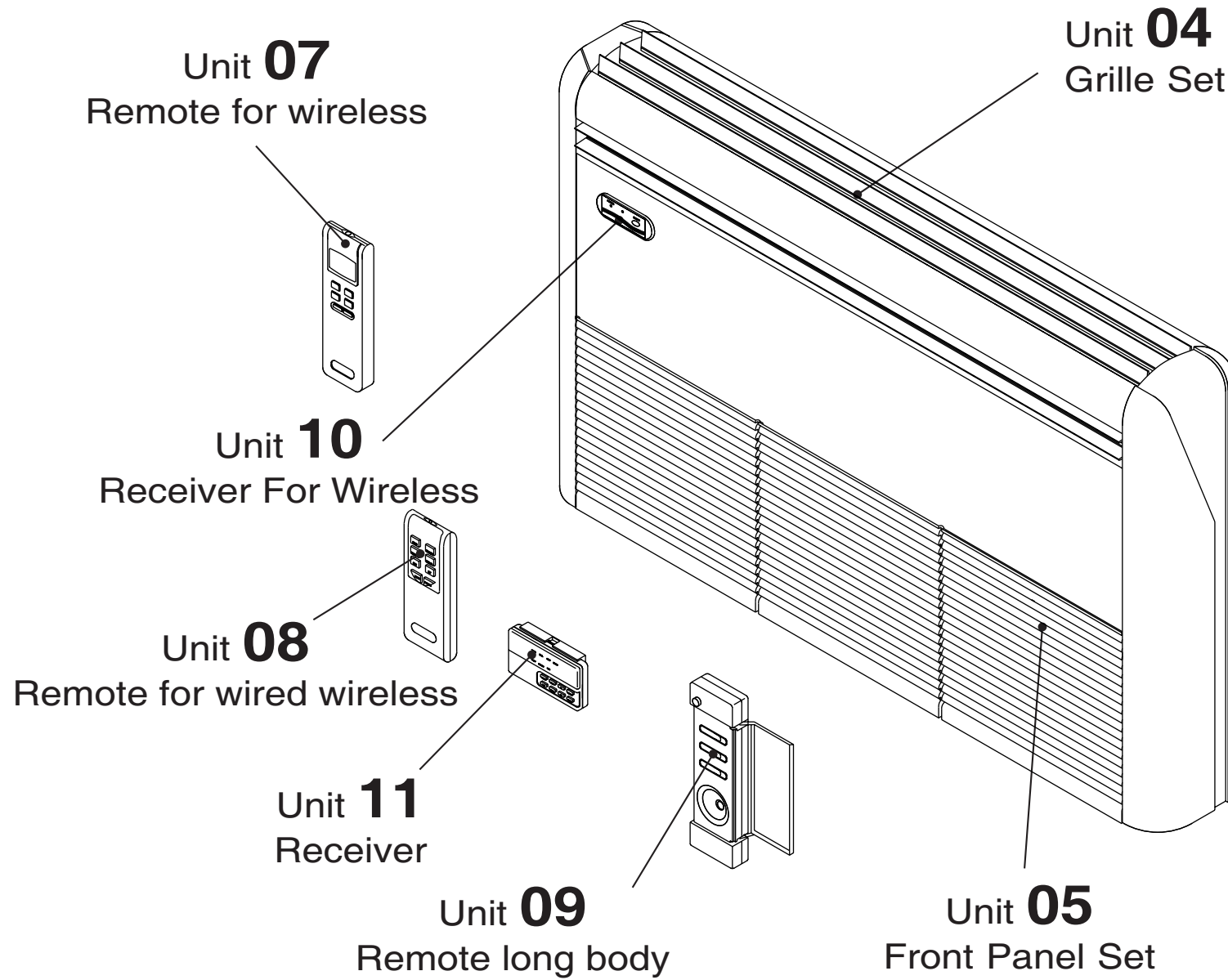
### (I) Notes

Cautions and notes necessary to the ordering of each part.

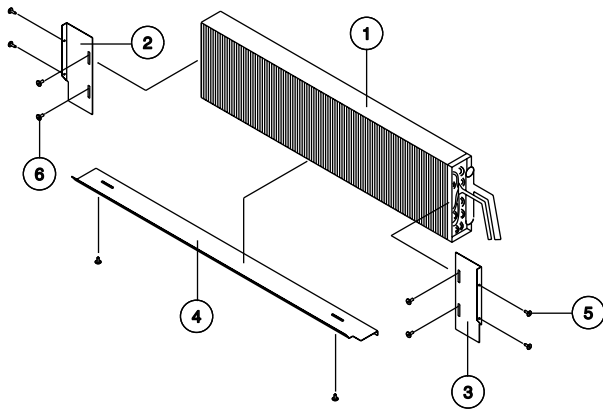
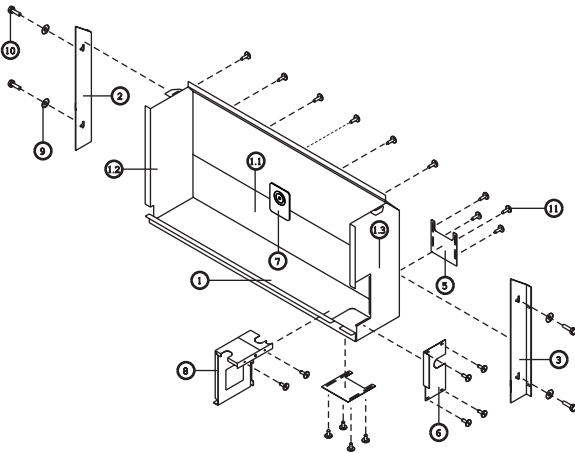
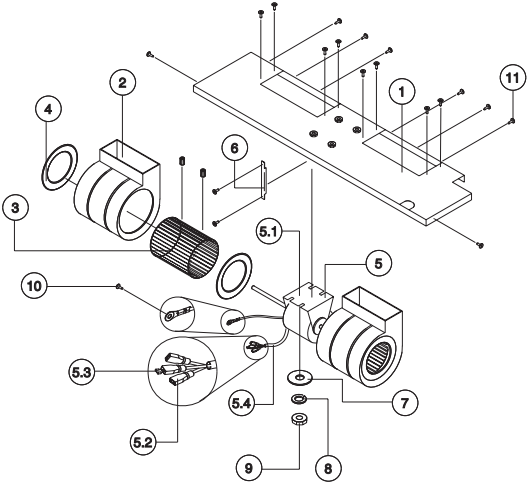
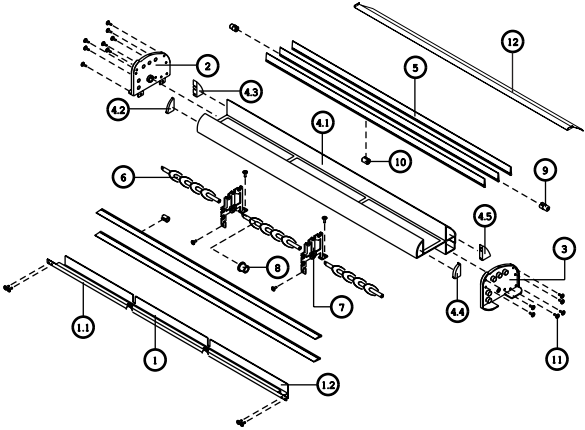
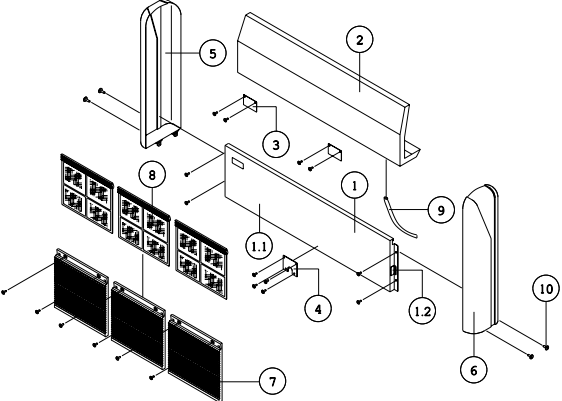
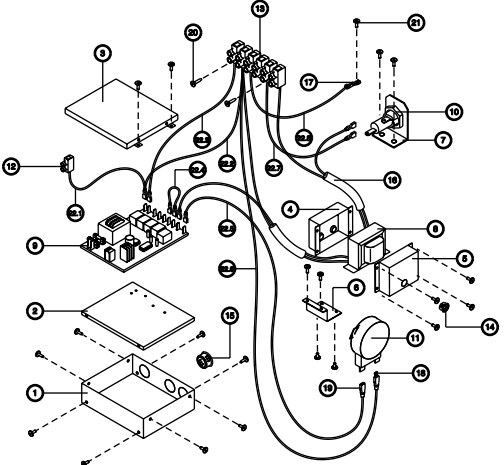
# MACHINE COMPONENT



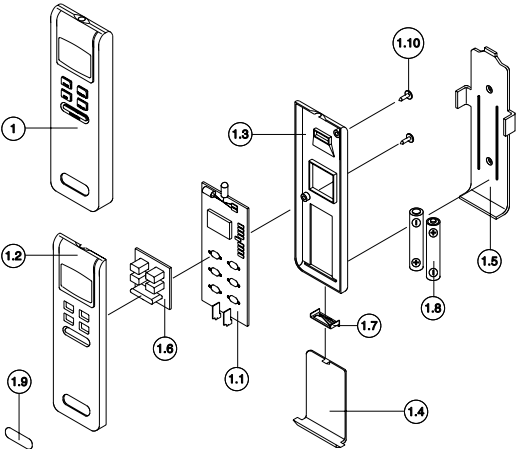
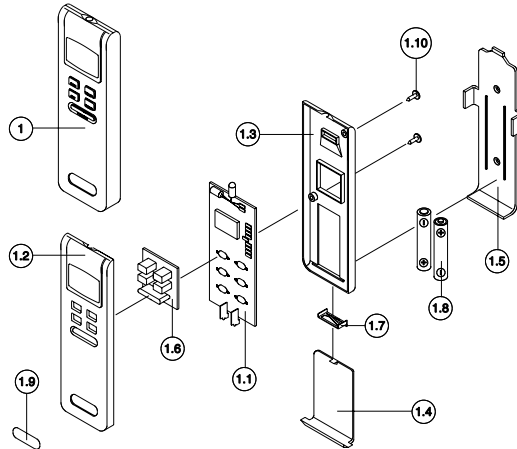
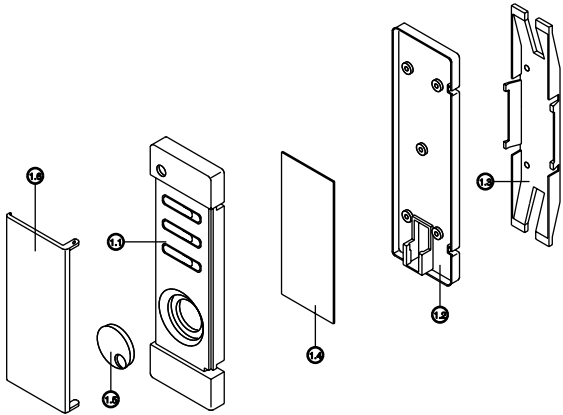
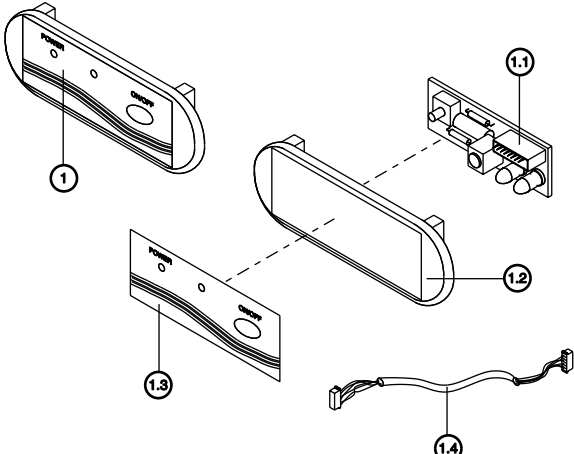
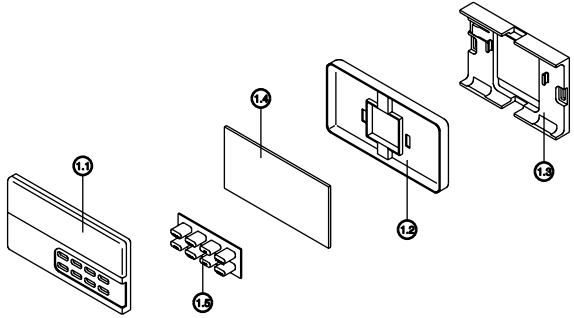
# MACHINE COMPONENT



# CONTENTS (1)

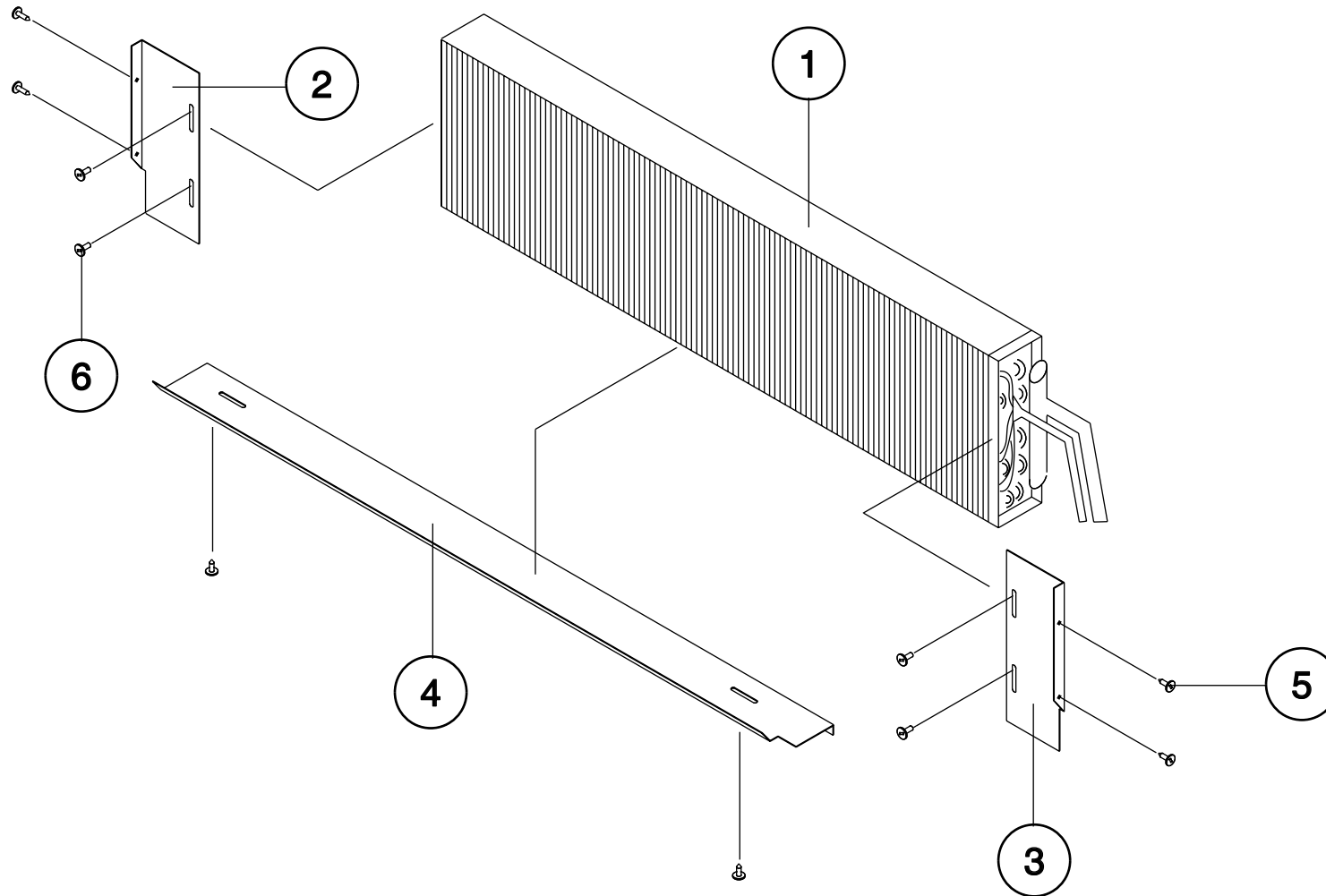
01	Coil Set	02	Cabinet Set	03	Motor and Blower Set
1~4		5~8		9~12	
					
04	Grille Set	05	Front Panel Set	06	Wire Set for wireless
13~16		17~20		21~24	
					

# CONTENTS (2)

<b>07</b> Remote For Wireless	<b>08</b> Remote For Wired Wireless	<b>09</b> Remote Long Body
25~26 	27~28 	29~30 
<b>10</b> Receiver For Wireless	<b>11</b> Receiver	
31~32 	33~34 	

Unit No . 01  
Coil Set

From Model : CCFF



Index No .	Parts No .	Parts Name	Drawing No .	Type (Maker)	Quantity							Note	
					04	06	08	10	12	16	20		
1		<b>Coil Assy</b>											
	<b>CF 0600001</b>	Coil Cool Size:8x30x3R			1								
	<b>CF 0600002</b>	Coil Cool Size:8x30x3R				1							
	<b>CF 0600003</b>	Coil Cool Size: 8x30x4R					1						
	<b>CF 0600004</b>	Coil Cool Size: 10x40x3R						1					
	<b>CF 0600005</b>	Coil Cool Size: 10x40x3R							1				
	<b>CF 0600006</b>	Coil Cool Size: 10x59.5x3R								1			
	<b>CF 0600007</b>	Coil Cool Size: 10x59.5x4R										1	
2		<b>Support Side Coil LH/Insulation</b>											
	<b>CF 0300001/011</b>	For 04/06/08		GL#18/Pe-	1	1	1						
	<b>CF 0300002/021</b>	For 10/12		GL#18/Pe-				1	1				
	<b>CF 0300003/031</b>	For 16/20		GL#18/Pe-						1	1		
3		<b>Support Side Coil RH/Insulation</b>											
	<b>CF 0300004/041</b>	For 04/06/08		GL#18/Pe-	1	1	1						
	<b>CF 0300005/051</b>	For 10/12		GL#18/Pe-				1	1				
	<b>CF 0300006/061</b>	For 16/20		GL#18/Pe-						1	1		

Unit No . 01  
Coil Set

From Model : CCFF

