

THA 2006
PL-CFFW-ARL

MODEL OF AIRCONDITIONER

CFFW

PARTS LIST



MULTIAQUA, INC.

2701 S.W. 145 AVENUE, SUITE #220

MIRAMAR, FLORIDA 33027 U.S.A.

Tel: (954) 431-1300 • Fax: (954) 431-1303 • email: support@multiaqua.com

www.multiaqua.com

2006/10-00

GENERAL INFORMATION

This parts list shows all the parts used in your airconditioner for model CFFW.

Please file this parts list for reference and refer to it when you order parts or maintain the airconditioner.

This edition has been divided into section. Each section corresponds to one of the 11 different units making up the air condition.

Unit No.

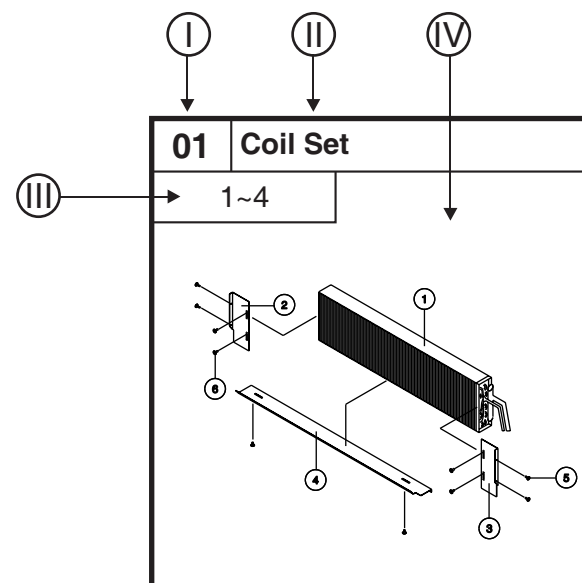
- 01 Coil set
- 02 Cabinet set
- 03 Motor and blower set
- 04 Grille set
- 05 Front panel set
- 06 Wire Set for Wireless
- 07 Remote for Wireless
- 08 Remote for Wired Wireless
- 09 Remote long body
- 10 Receiver for Wireless
- 11 Receiver

The scale used on each page of drawing is different. Please be aware that parts may seem to be different sizes on different pages.

Specifications subject to change without notice.

INTRODUCTION

1. TABLE OF CONTENTS

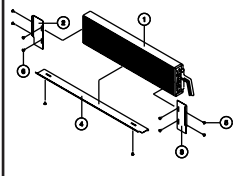
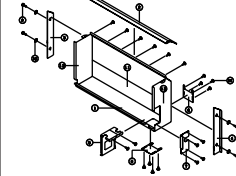
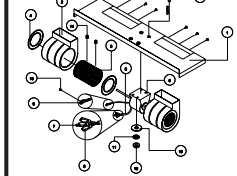


- Ⓛ Unit number
- Ⓜ Unit Name
- Ⓝ Corresponding Page Nos.
- ⓓ Assembly drawings shown in the main text.

ORDER INSTRUCTIONS

1. Use the drawings in the Table of Contents to find the pages on which the part in question is shown in greater

CONTENTS (1)

01	Coil Set	02	Cabinet Set	03	Motor and Blower Set
1-4		5-8		9-12	

This units is shown on
Page 5~8



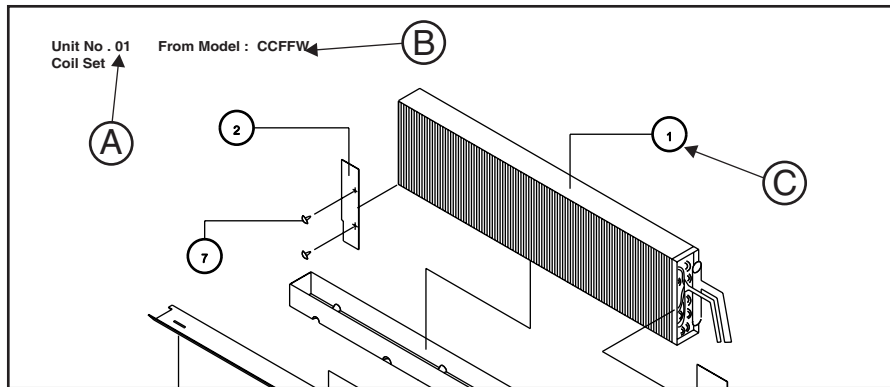
2. Spread out the referred pages.

3. Use the drawings and corresponding lists to confirm the specs, etc. Of the part in question.

4. When ordering, please supply the following information:

- (1) Machine Model
- (2) Serial number
- (3) Parts number
- (4) Parts name
- (5) Quantity

2. MAIN TEXT



Index No.	Parts No.	Parts Name	Drawing No.	Type (Marker)	Quantity						Note	
					04	06	08	10	12	16		20
1		Coil Assy										
		Coil Cool Size: 8x30x2Rx2C	DG-DC-CO-AG-04-		1							
		Coil Cool Size: 8x30x3Rx3C				1						
		Coil Cool Size: 8x30x4Rx4C					1					
		Coil Cool Size: 10x40x3Rx4C						1				
		Coil Cool Size: 10x40x3Rx4C							1			
		Coil Cool Size: 10x59.5x3Rx8C								1		

(A) Unit Number and Name

The Unit Number and Name are shown on relevant pages.

(B) Machine Model

The Model of machine corresponding to the information shown.

(C) Index Number

The Index Number for each part in a drawing is shown and corresponds to the list of parts for that drawing.

(D) Parts Number

The individual Code No for each part the Model CCFFW is shown.

(E) Parts Name

The Name (description) of each part.

(F) Drawing Number

The Number of drawing relevant to the part are given.

(G) Type (Maker)

The type description and manufacturer of each marketed item are shown.

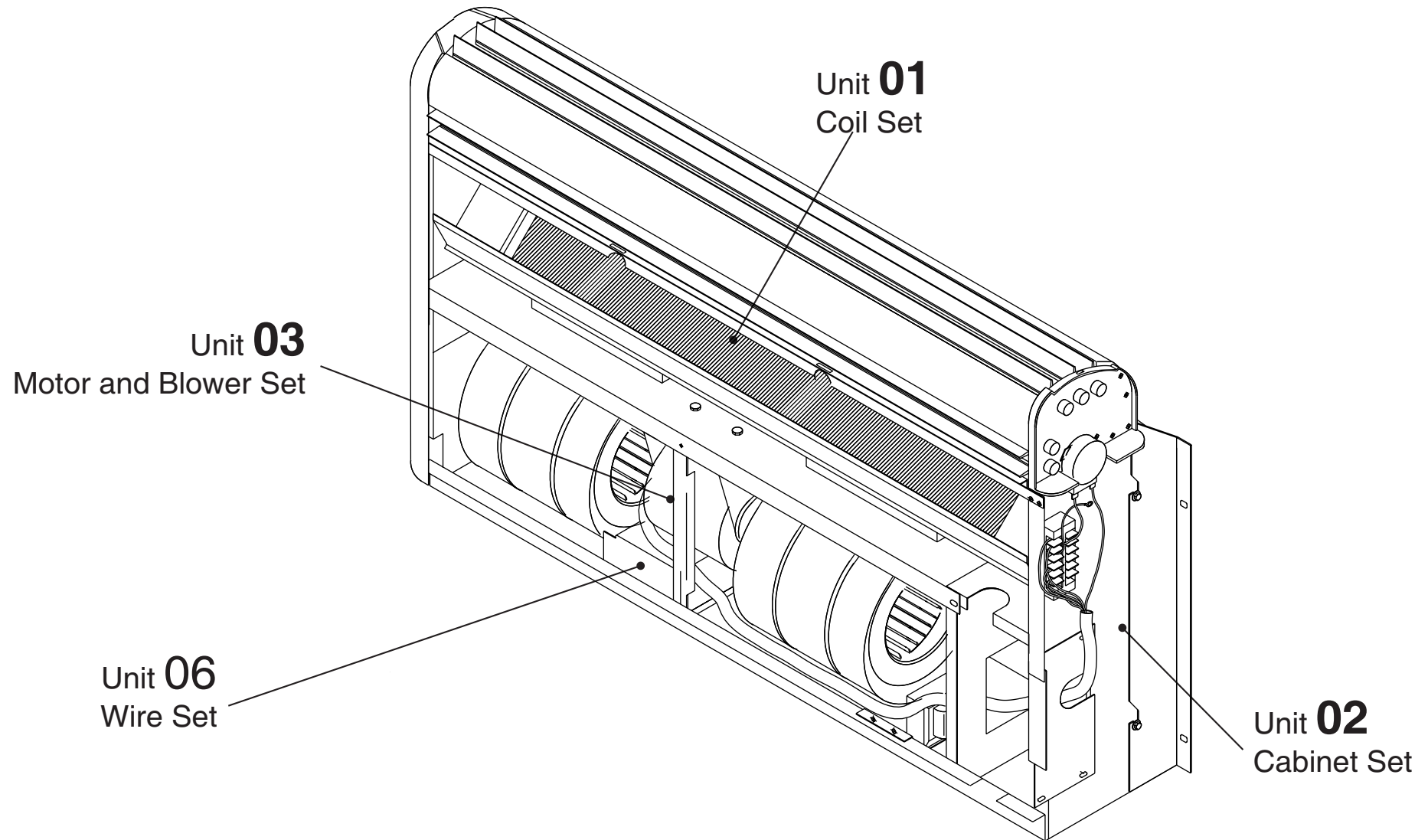
(H) Quantity

The quantity of each part used on the each capacitor.

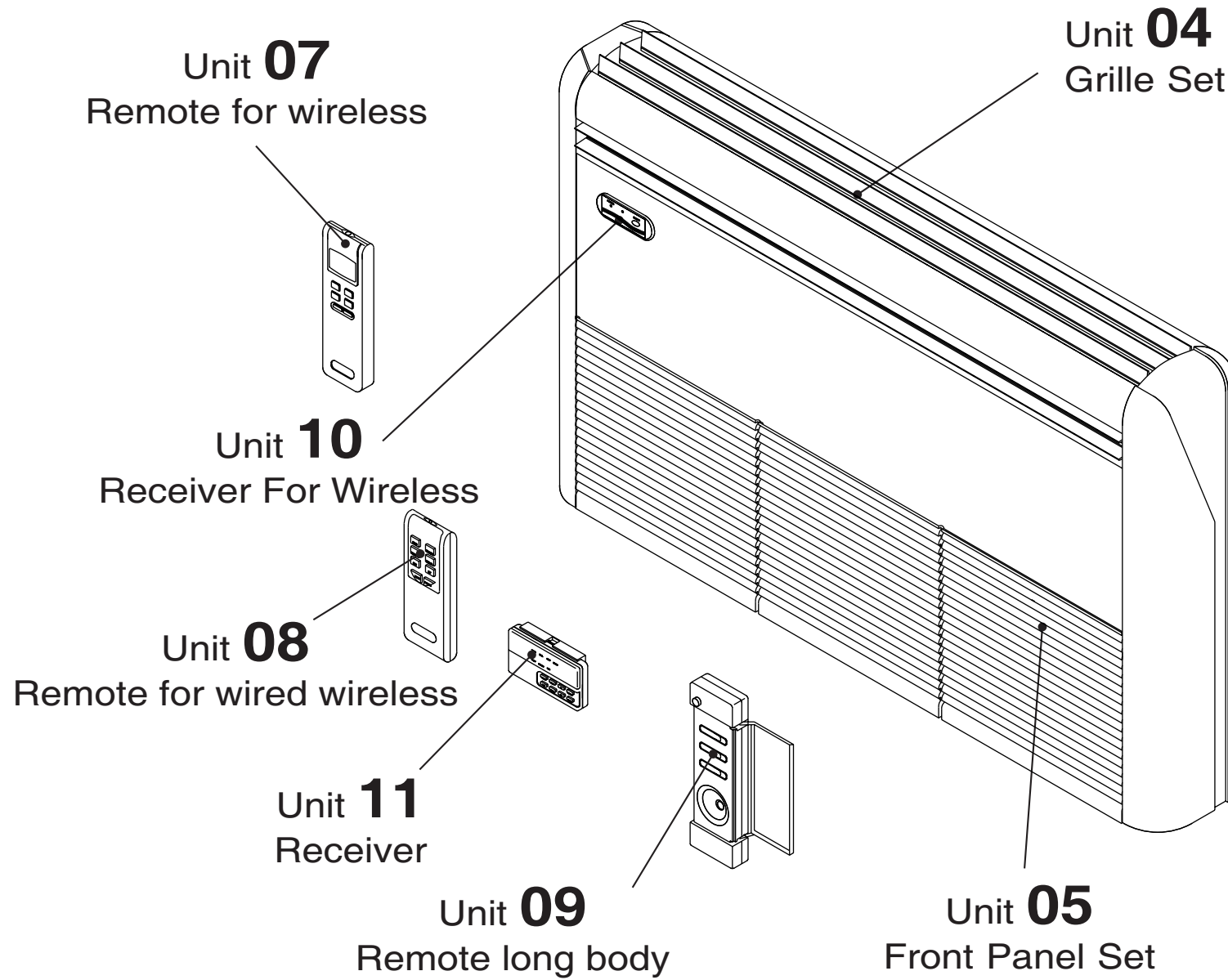
(I) Notes

Cautions and notes necessary to the ordering of each part.

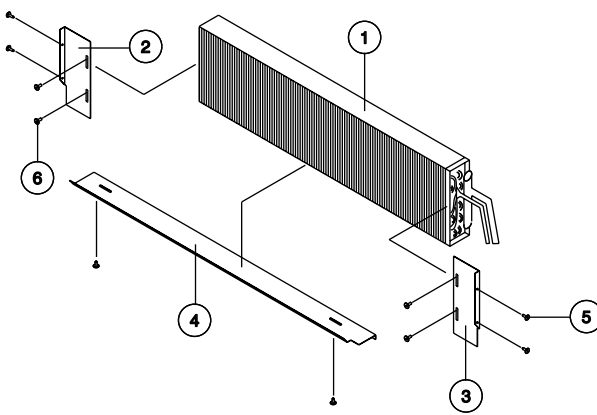
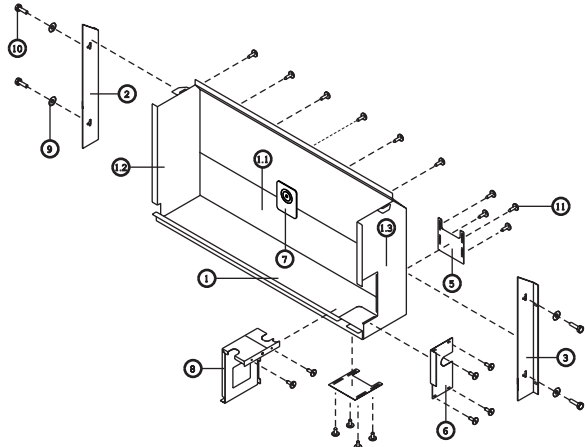
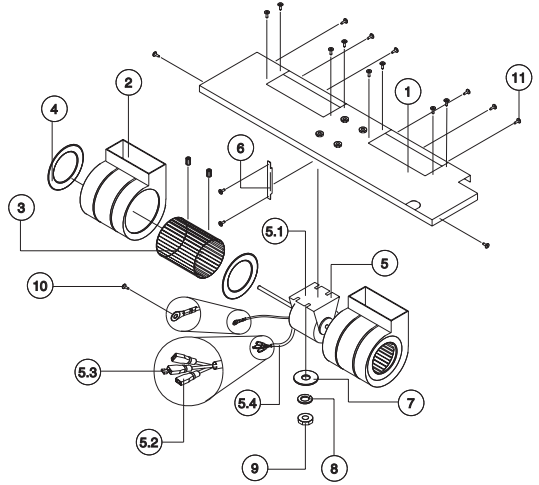
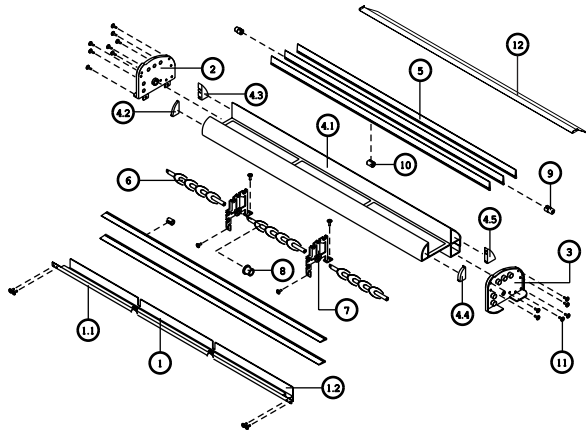
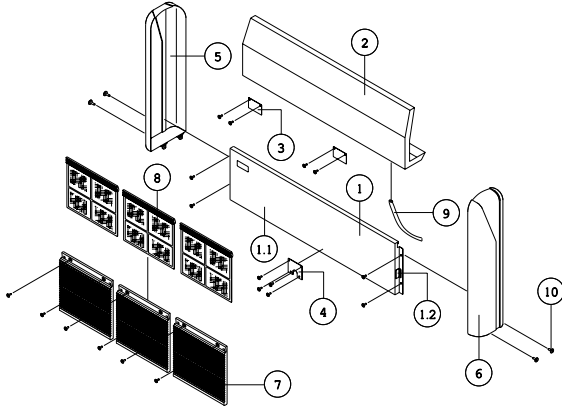
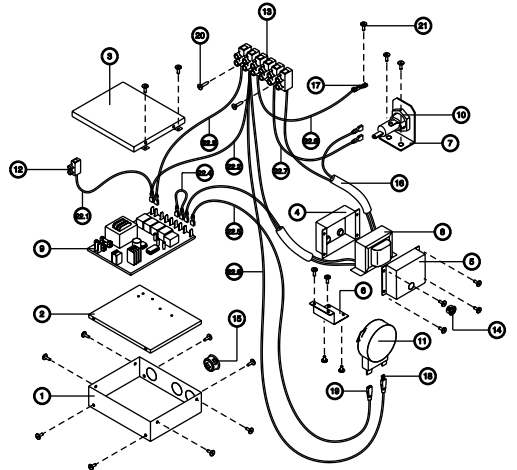
MACHINE COMPONENT



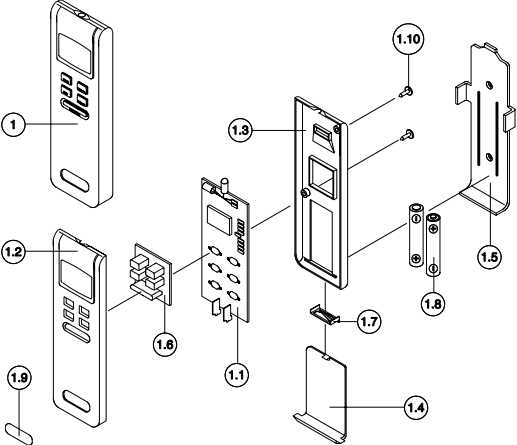
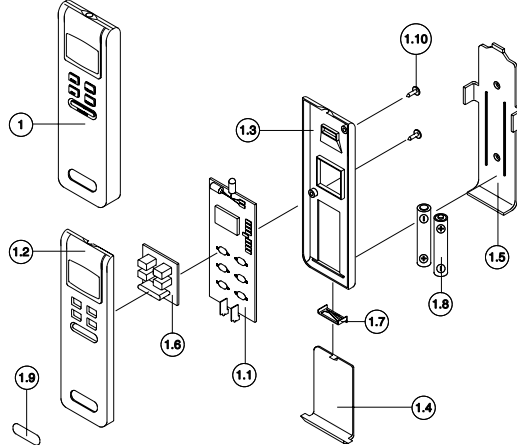
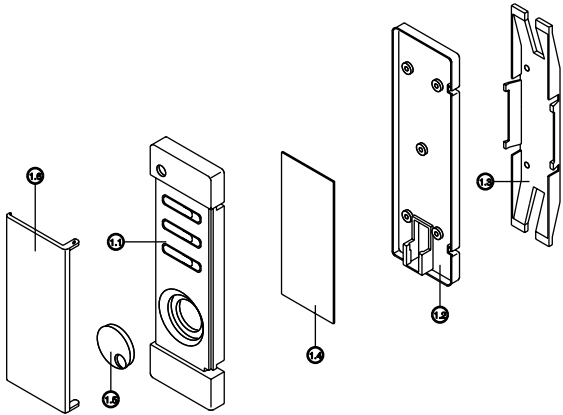
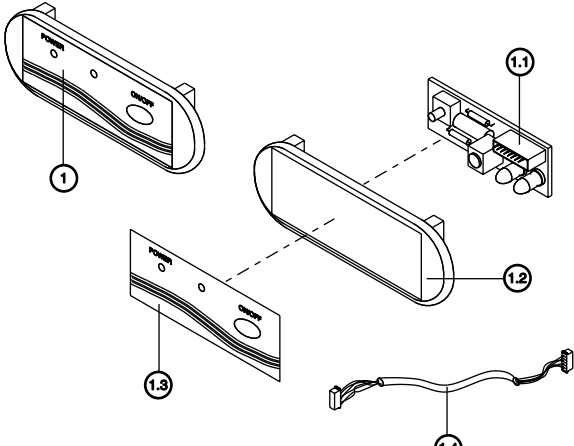
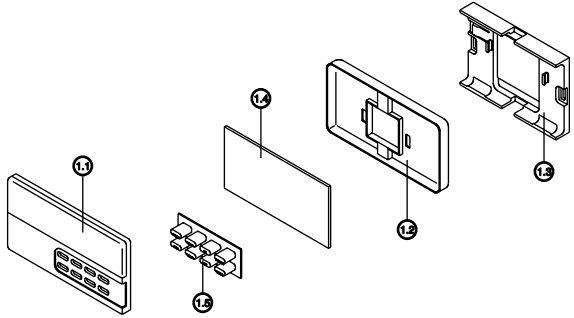
MACHINE COMPONENT



CONTENTS (1)

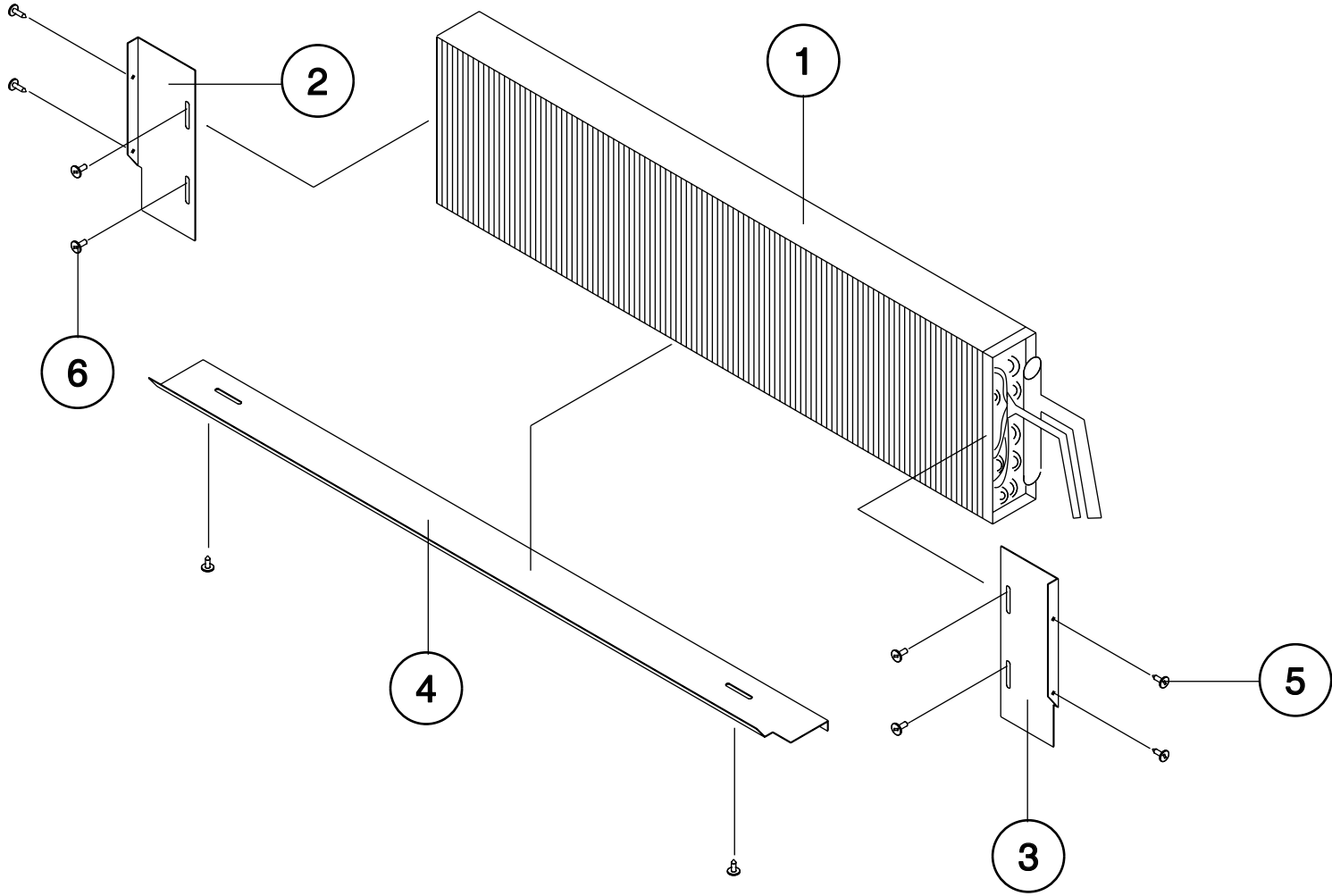
01	Coil Set	02	Cabinet Set	03	Motor and Blower Set
1~4		5~8		9~12	
					
04	Grille Set	05	Front Panel Set	06	Wire Set for wireless
13~16		17~20		21~24	
					

CONTENTS (2)

07 Remote For Wireless	08 Remote For Wired Wireless	09 Remote Long Body
25~26 	27~28 	29~30 
10 Receiver For Wireless	11 Receiver	
31~32 	33~34 	

Unit No . 01
Coil Set

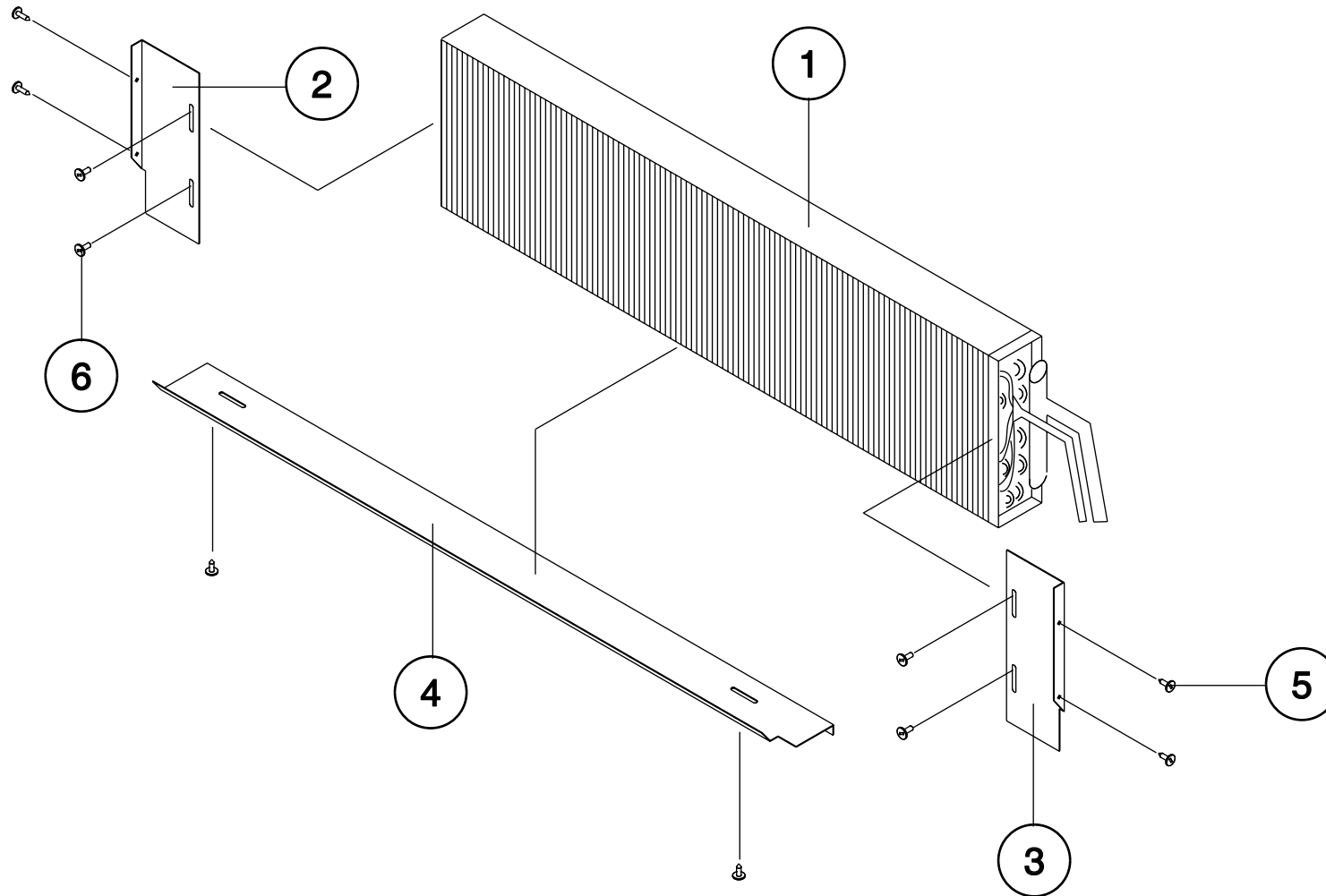
From Model : CCFFW



Index No .	Parts No .	Parts Name	Drawing No .	Type (Maker)	Quantity							Note	
					04	06	08	10	12	16	20		
1		Coil Assy											
	FFW 0600001	Coil Cool Size:8x30x3R			1								
	FFW 0600002	Coil Cool Size:8x30x3R				1							
	FFW 0600003	Coil Cool Size: 8x30x4R					1						
	FFW 0600004	Coil Cool Size: 10x40x3R						1					
	FFW 0600005	Coil Cool Size: 10x40x3R							1				
	FFW 0600006	Coil Cool Size: 10x59.5x3R								1			
	FFW 0600007	Coil Cool Size: 10x59.5x4R										1	
2		Support Side Coil LH/Insulation											
	FFW 0300001/01I	For 04/06/08		GL#18/Pe-	1	1	1						
	FFW 300002/02I	For 10/12		GL#18/Pe-				1	1				
	FFW 0300003/03I	For 16/20		GL#18/Pe-						1	1		
3		Support Side Coil RH/Insulation											
	FFW 0300004/04I	For 04/06/08		GL#18/Pe-	1	1	1						
	FFW 0300005/05I	For 10/12		GL#18/Pe-				1	1				
	FFW 0300006/06I	For 16/20		GL#18/Pe-						1	1		

Unit No . 01
Coil Set

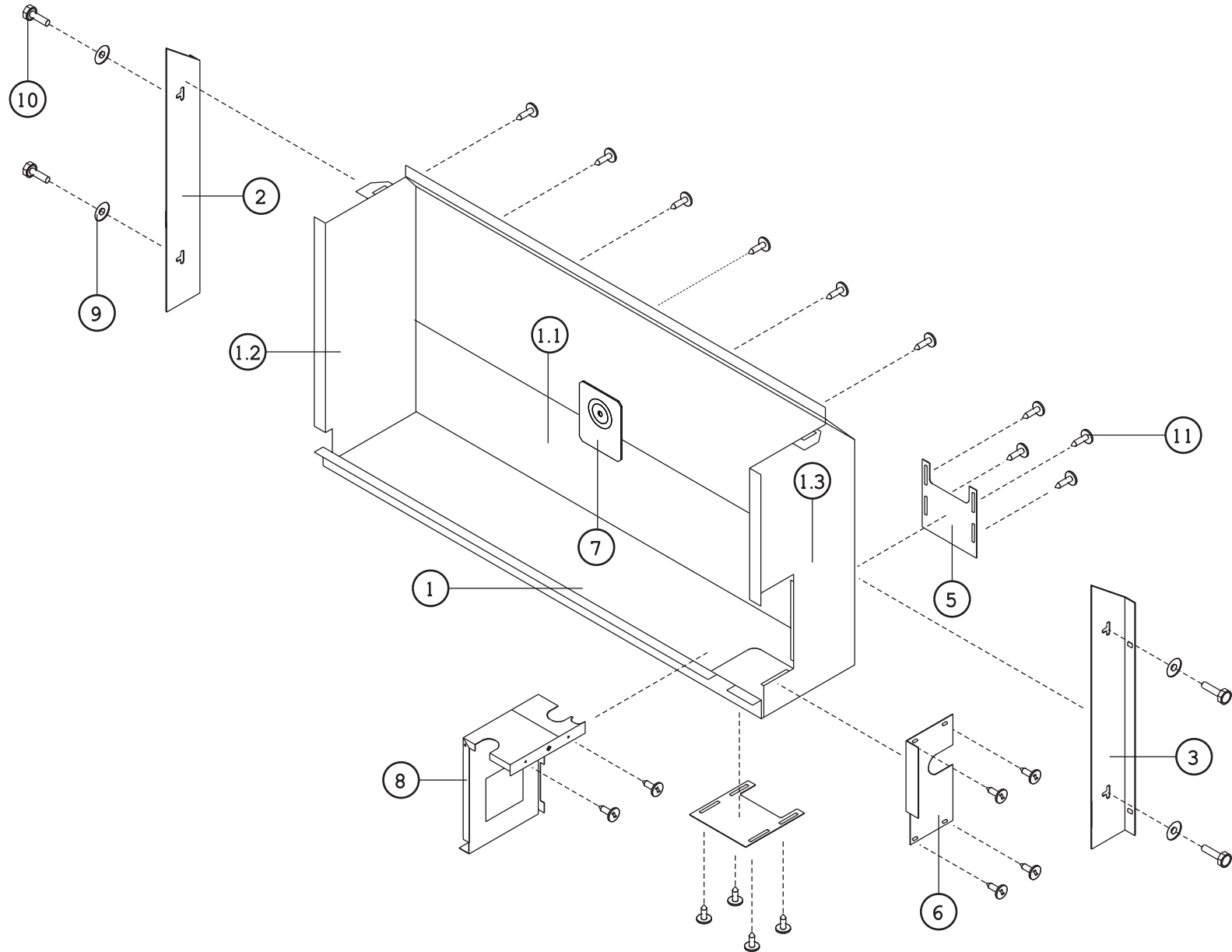
From Model : CCFFW



Index No .	Parts No .	Parts Name	Drawing No .	Type (Maker)	Quantity							Note	
					04	06	08	10	12	16	20		
4		Cover Bottom Coil											
	FFW 0300007	For 04/06/08		EG#21	1	1	1						
	FFW 0300008	For 10/12		EG#21				1	1				
	FFW 0300009	For 16/20		EG#21						1	1		
5	0700002	Tapping Screws		No 8 Lgth. 1/2"	8	8	8	8	8	8	8		
6	0700021	Tapping Screws		No 8 Lgth. 5/16"	4	4	4	4	4	4	4		

Unit No . 02
Cabinet Set

From Model : CCFFW

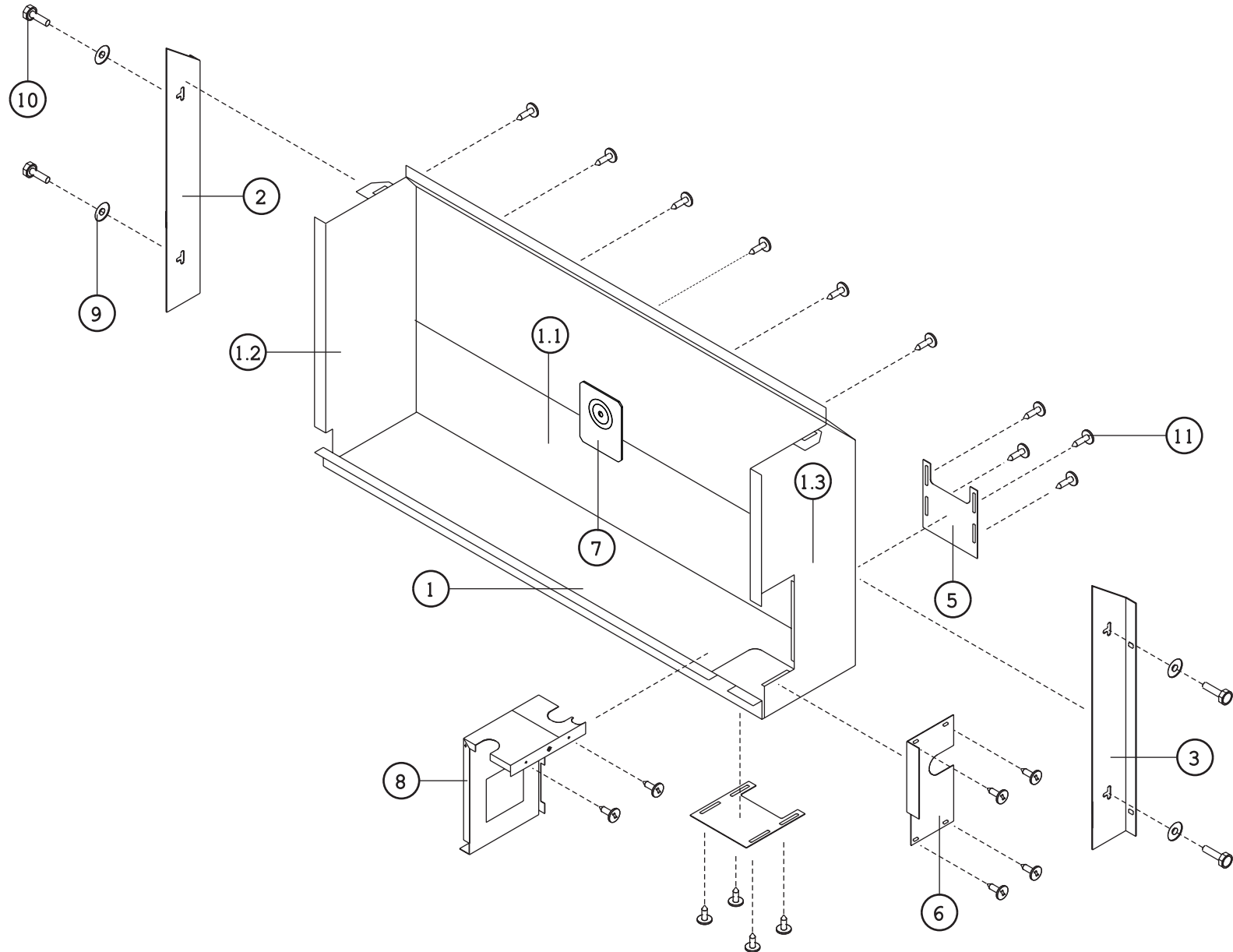


Index No .	Parts No .	Parts Name	Drawing No .	Type (Maker)	Quantity							Note	
					04	06	08	10	12	16	20		
1		Cabinet Assy											See Note 1.
1.1		Back panel/Insulation											
	FFW 0300055/55I	For 04/06/08		EG#18/Pe-	1	1	1						
	FFW 0300056/56I	For 10/12		EG#18/Pe-				1	1				
	FFW 0300057/57I	For 16/20		EG#18/Pe-						1	1		
1.2	FFW 0300020/20I	Side Panel LH/Insulation		EG#21/Pe-	1	1	1	1	1	1	1		
1.3	FFW 0300021/21I	Side Panel RH/insulation		EG#21/Pe-	1	1	1	1	1	1	1		
2	FFW 0300015	Hanger Plate LH		EG#16	1	1	1	1	1	1	1		
3	FFW 0300016	Hanger Plate RH		EG#16	1	1	1	1	1	1	1		

Note 1. This part is not sold separately.

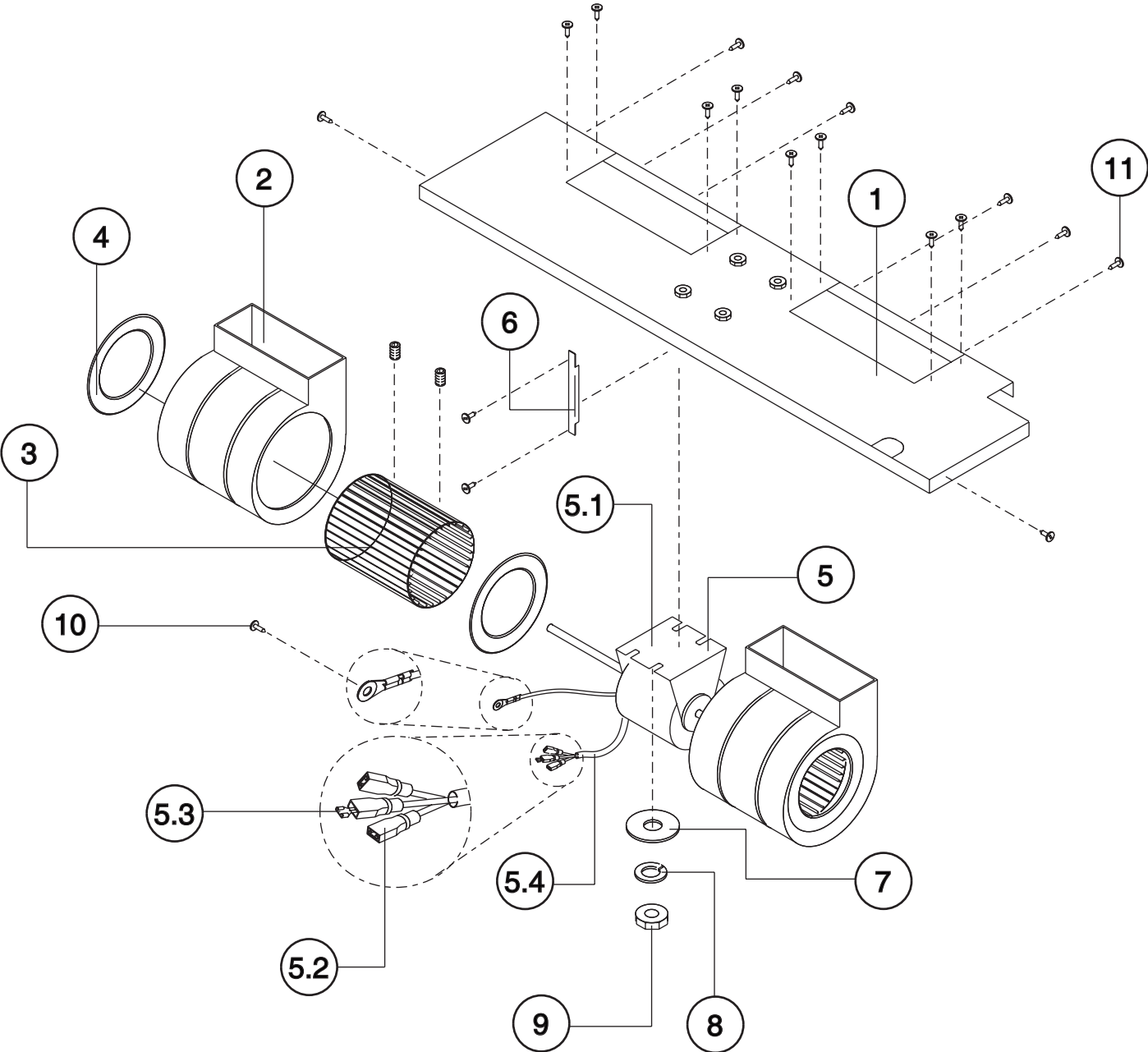
Unit No . 02
Cabinet Set

From Model : CCFFW



Index No .	Parts No .	Parts Name	Drawing No .	Type (Maker)	Quantity							Note
					04	06	08	10	12	16	20	
5	FFW 0300030	Access Door		EG#21	2	2	2	2	2	2	2	
6	FFW 0300031	Side Cover Plate		EG#18	1	1	1	1	1	1	1	
7	FFW 0300042	Fan Deck Holder		EG#16						1	1	
8	FFW 0100029	Support Ventury		EG#18	1	1	1	1	1	1	1	
9	0700025	Flat Washers		I.D. 1/4"	4	4	4	4	4	5	5	
10	0700026	Cap Screws		1/4"x1/2"	4	4	4	4	4	5	5	
11	0700002	Tapping Screws		No 8 Lgth.1/2"	18	18	18	18	18	18	18	

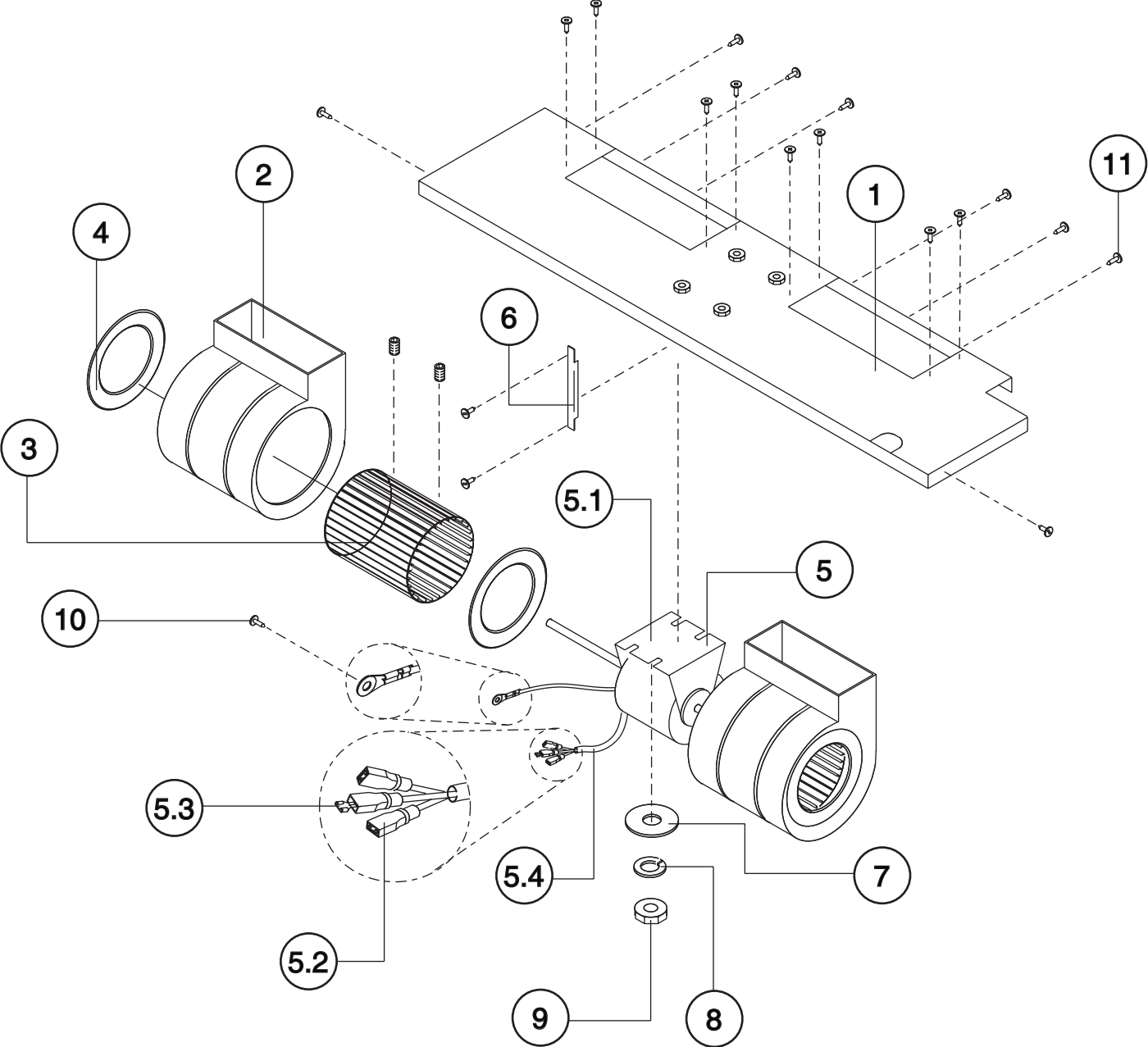
Unit No . 03 From Model : CCFFW
Motor and Blower Set



Index No .	Parts No .	Parts Name	Drawing No .	Type (Maker)	Quantity							Note	
					04	06	08	10	12	16	20		
1		Ventury											
	FFW 0300051	For 04/06		EG#16	1	1							
	FFW 0300051-1	For 08		EG#16			1						
	FFW 0300052	For 10		EG#16				1					
	FFW 0300053	For 12		EG#16					1				
	FFW 0300054	For 16/20		EG#16						1	1		
2		Blower Housing											
	FFW 0100024	For Blower Wheel 6*8"		PLASTIC	2	2			1				
	FFW 0100025	For Blower Wheel 7*8"		PLASTIC			2	2	2	4	4		
3		Blower Wheel											
	FFW 0100026	Blower Wheel Size 6*8"		PLASTIC	2	2			1				
	FFW 0100027	Blower Wheel Size 7*8"		PLASTIC			2	2	2	4	4		
4	FFW 0100028	Guide Vane		PLASTIC	4	4	4	4	6	8	8		
5		Motor Assy											See Note 1.
5.1		Motor											60 Hz

Note 1. This part is not sold separately.

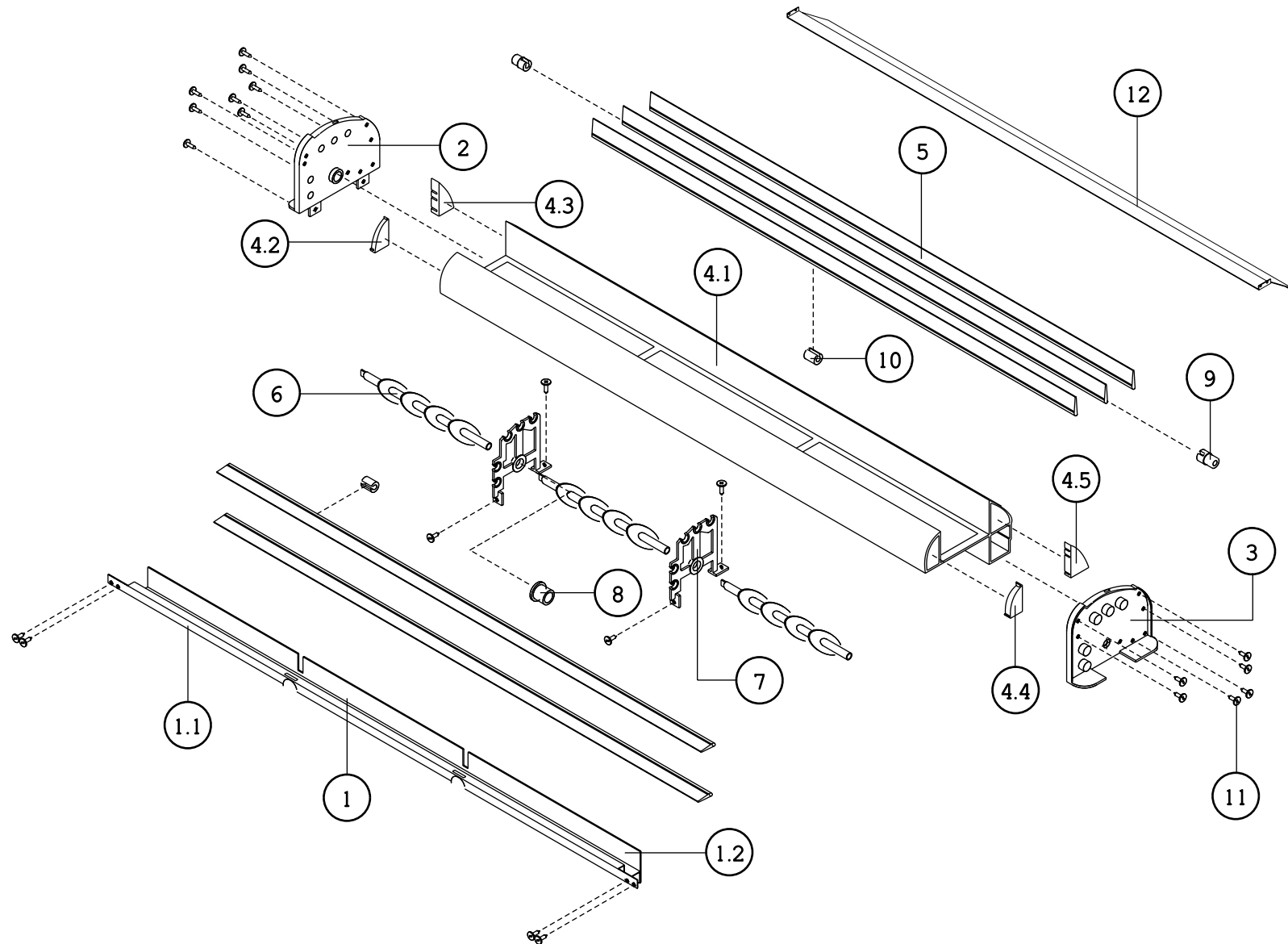
Unit No . 03 From Model : CCFFW
Motor and Blower Set



Index No .	Parts No .	Parts Name	Drawing No .	Type (Maker)	Quantity							Note
					04	06	08	10	12	16	20	
	FFW 0200004	Motor 1/8 TSE-CA		PSC			1	1	1	2	2	
	FFW 0200003	Motor 1/15 TSE-CA		PSC	1	1						
	FFW 0200005	Motor 1/20 TSE-CA		PSC					1			
5.2	FFW 0200012	Quick Connector Terminal Sleeve			3	3	3	3	6	6	6	
5.3	FFW 0200011	Quick ConnectorTerminal			3	3	3	3	6	6	6	
5.4	FFW 0200016	PVC Tube		12 mm.	1	1	1	1	2	2	2	
6	FFW 0300014	Support Middle Ventury		EG#16	1	1	1	1	2	2	2	
7	0700025	Flat Washers		I.D. 1/4"	4	4	4	4	8	8	8	
8	0700028	Spring Washers		I.D. 1/4"	4	4	4	4	8	8	8	
9	0700024	Nut		1/4"	4	4	4	4	8	8	8	
10	0700002	Tapping Screws		No 8 Lgth.1/2"	13	13	13	13	20	24	24	
11	0700021	Tapping Screws		No 8 Lgth.5/16"	6	6	6	6	9	12	12	

Unit No . 04
Grille Set

From Model : CCFFW

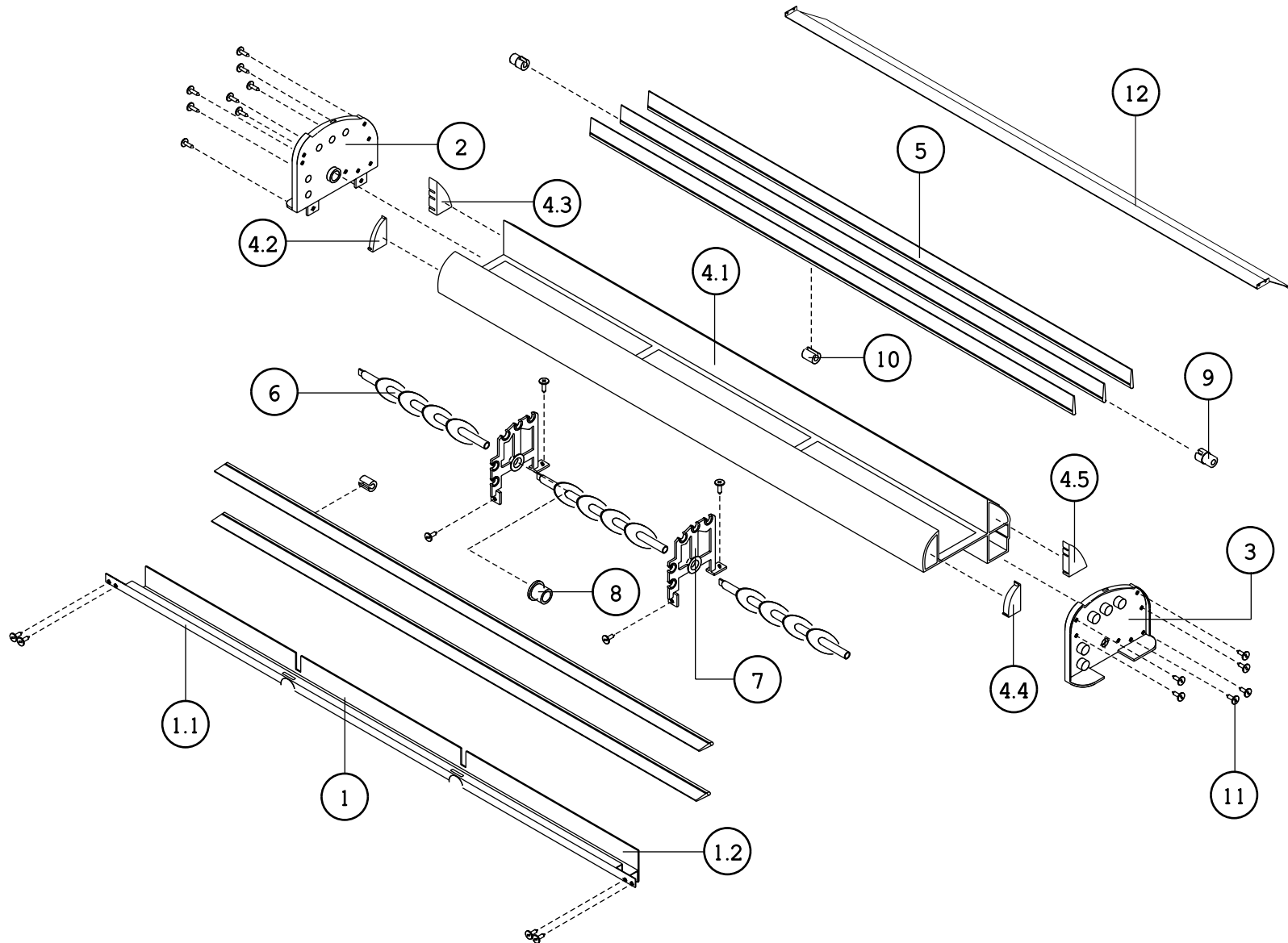


Index No .	Parts No .	Parts Name	Drawing No .	Type (Maker)	Quantity							Note	
					04	06	08	10	12	16	20		
1		Support Frame Top/Insulation											
	FFW 0300025/25I	For 04/06/08		EG#16/Pe-	1	1	1						
	FFW 0300026/26I	For 10/12		EG#16/Pe-				1	1				
	FFW 0300027/27I	For 16/20		EG#16/Pe-						1	1		
2	FFW 0100006	Upper Side Frame (lh)		PLASTIC	1	1	1	1	1	1	1		
3	FFW 0100007	Upper Side Frame (rh)		PLASTIC	1	1	1	1	1	1	1		
4		Discharge Grille Assy											
4.1		Top Cover Extursion											
	FFW 0100015	For 04/06/08		PLASTIC	1	1	1						
	FFW 0100016	For 10/12		PLASTIC				1	1				
	FFW 0100017	For 16/20		PLASTIC						1	1		
4.2	FFW 0100018	Small Cover (lh) For Top Cover		PLASTIC	1	1	1	1	1	1	1		
4.3	FFW 0100019	Small Cover (rh) For Top Cover		PLASTIC	1	1	1	1	1	1	1		
4.4	FFW 0100020	Big Cover (lh) For Top Cover		PLASTIC	1	1	1	1	1	1	1		
4.5	FFW 0100021	Big Cover (rh) For Top Cover		PLASTIC	1	1	1	1	1	1	1		
5		Extursion											

Note 1. This part is not sold separately.

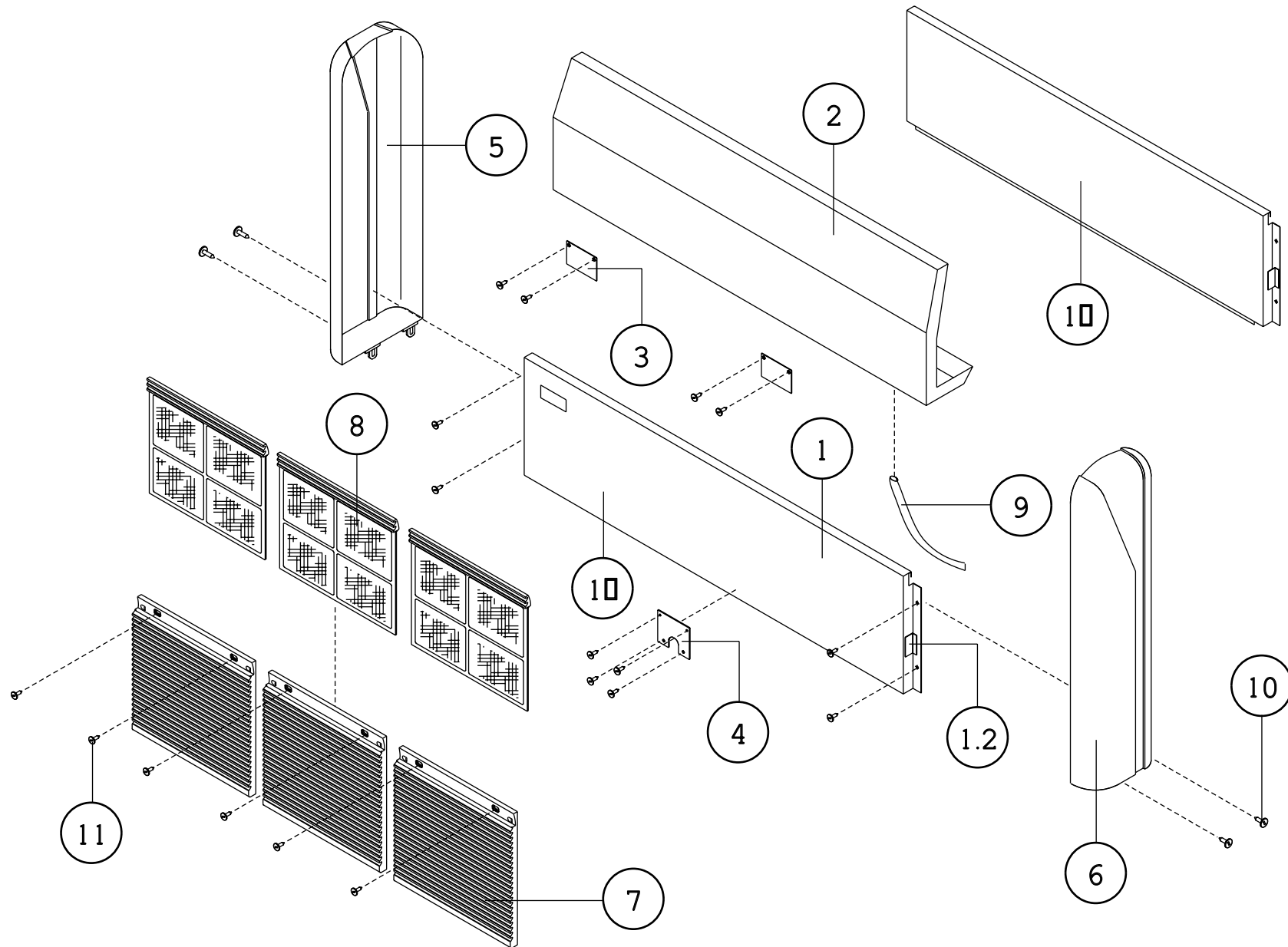
Unit No . 04
Grille Set

From Model : CCFFW



Index No .	Parts No .	Parts Name	Drawing No .	Type (Maker)	Quantity						Note	
					04	06	08	10	12	16		20
	FFW 0100009	For 04/06/08		PLASTIC	5	5	5					
	FFW 0100010	For 10/12		PLASTIC				5	5			
	FFW 0100011	For 16/20		PLASTIC						5	5	
6	FFW 0100008	Swing Louver		PLASTIC	3	3	3	3	3	3	3	
7	FFW 0100005	Support Swing Blade		PLASTIC	2	2	2	2	2	2	2	
8	FFW 0100012	Coupling For Louver		PLASTIC	2	2	2	2	2	2	2	
9	FFW 0100013	Buch Side For Extursion		PLASTIC	10	10	10	10	10	10	10	
10	FFW 0100014	Buch Intermediate For Extursion		PLASTIC	5	5	5	5	5	5	5	
11	0700002	Tapping Screws		No 8 Lgth. 1/2"	24	24	24	24	24	24	24	
12		Support Frame Top										
	FFW 0300025	For 04/06/08		EG#21	1	1	1					
	FFW 0300026	For 10/12		EG#21				1	1			
	FFW 0300027	For 16/20		EG#21						1	1	

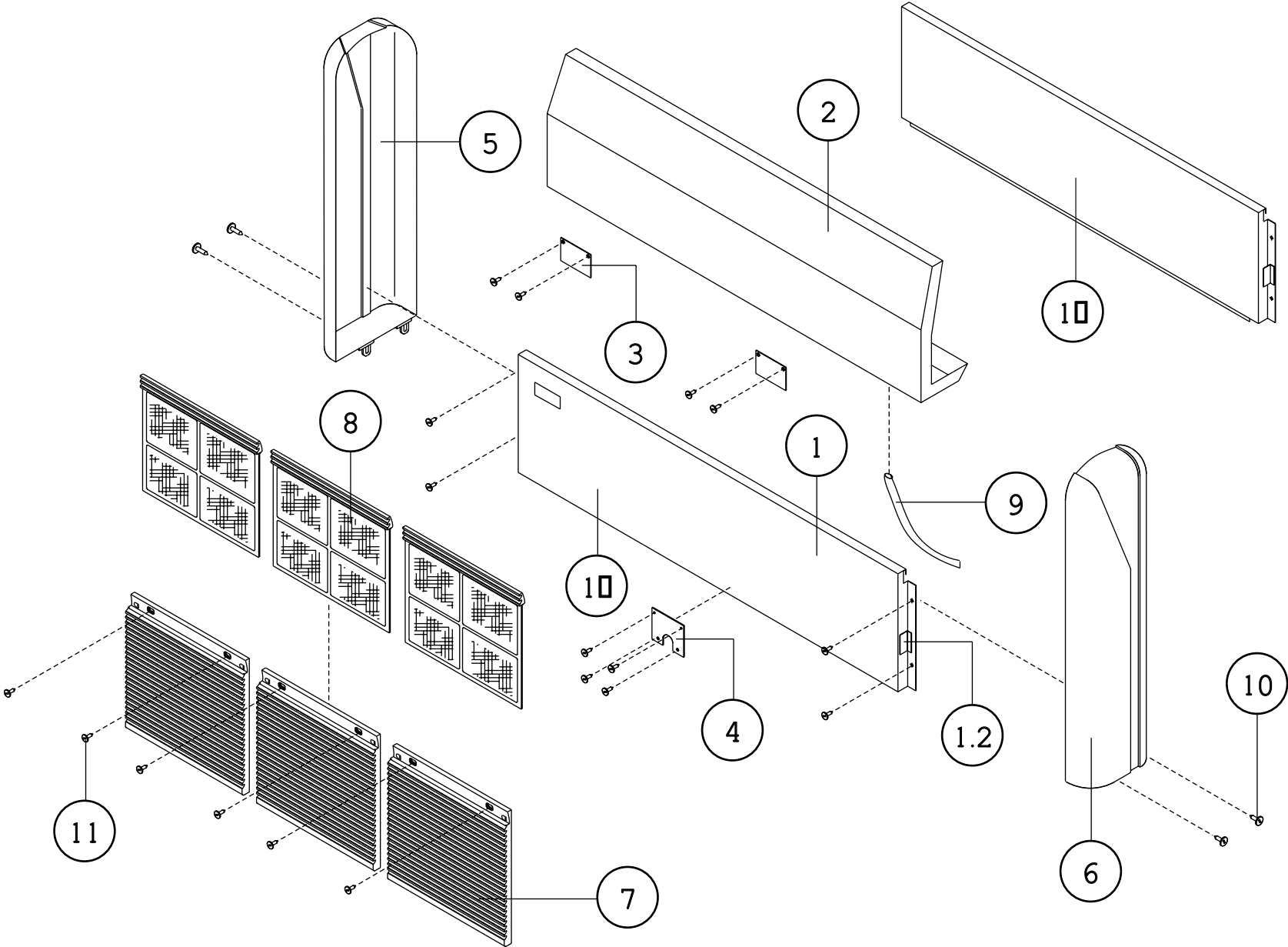
Unit No . 05 From Model : CCFFW
Front Panel Set



Index No .	Parts No .	Parts Name	Drawing No .	Type (Maker)	Quantity							Note	
					04	06	08	10	12	16	20		
1A		Front Panel/Insulation											See Note 1.
	FFW 0300058/58I	For 04/06/08		EG#20/Pe-Foam	1	1	1						
	FFW 0300059/59I	For 10/12		EG#20/Pe-Foam				1	1				
	FFW 0300060/60I	For 16/20		EG#20/Pe-Foam						1	1		
1B		Front Panel (Punch											
	FFW 0300061/61I	For 04/06/08		EG#20/Pe-Foam	1	1	1						
	FFW 0300062/62I	For 10/12		EG#20/Pe-Foam				1	1				
	FFW 0300063/63I	For 16/20		EG#20/Pe-Foam						1	1		
2		Drain Pan/Insulation											
	FFW 0300031/31I	For 04/06/08		EG#20/Pe-Foam	1	1	1						
	FFW 0300032/32I	For 10/12		EG#20/Pe-Foam				1	1				
	FFW 0300033/33I	For 16/20		EG#20/Pe-Foam						1	1		

Note 1. This part is not sold separately.

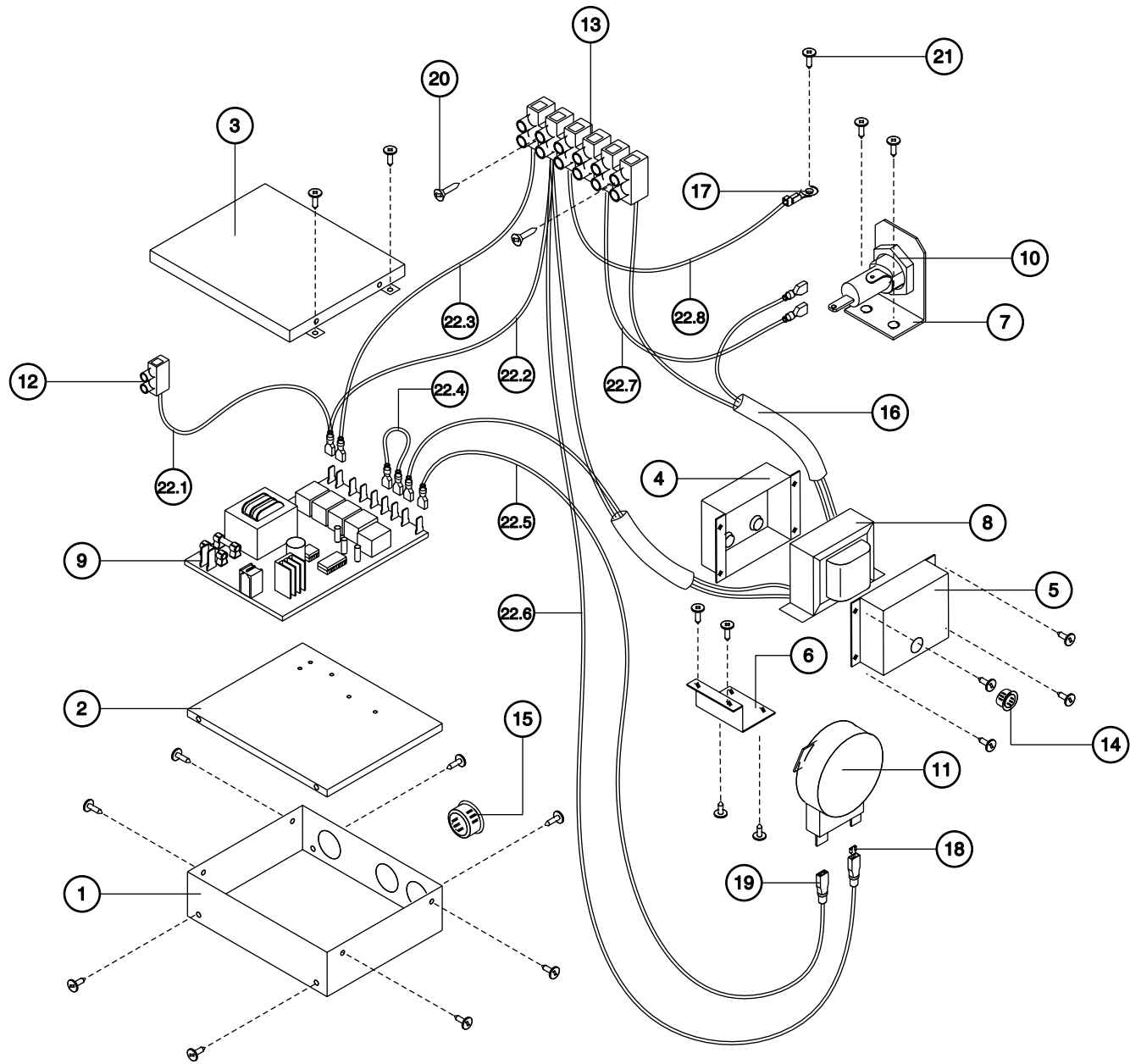
Unit No . 05 From Model : CCFFW
Front Panel Set



Index No .	Parts No .	Parts Name	Drawing No .	Type (Maker)	Quantity						Note	
					04	06	08	10	12	16		20
3	FFW 0300035	Drain Pan locking		EG#20	1	1	1	1	1	1	1	
4	FFW 0300038	Front Panel locking		EG#20	1	1	1	1	1	1	1	
5	FFW 0100001	Side Cover (LH)		PLASTIC	1	1	1	1	1	1	1	
6	FFW 0100002	Side Cover (RH)		PLASTIC	1	1	1	1	1	1	1	
7	FFW 0100033	Return Grille		PLASTIC	4	4	4	4	5	7	7	
8	FFW 0100034	Return Filter		PLASTIC	4	4	4	4	5	7	7	
9	FFW 0100022B	Drain Tube		PVC	1	1	1	1	1	1	1	
10	0700002	Tapping Screws		No 8 Lgth.1/2"	16	16	16	16	16	16	16	
11	0700030	Safe Tapping Screws		BC 8x5/16"	6	6	6	6	6	6	6	

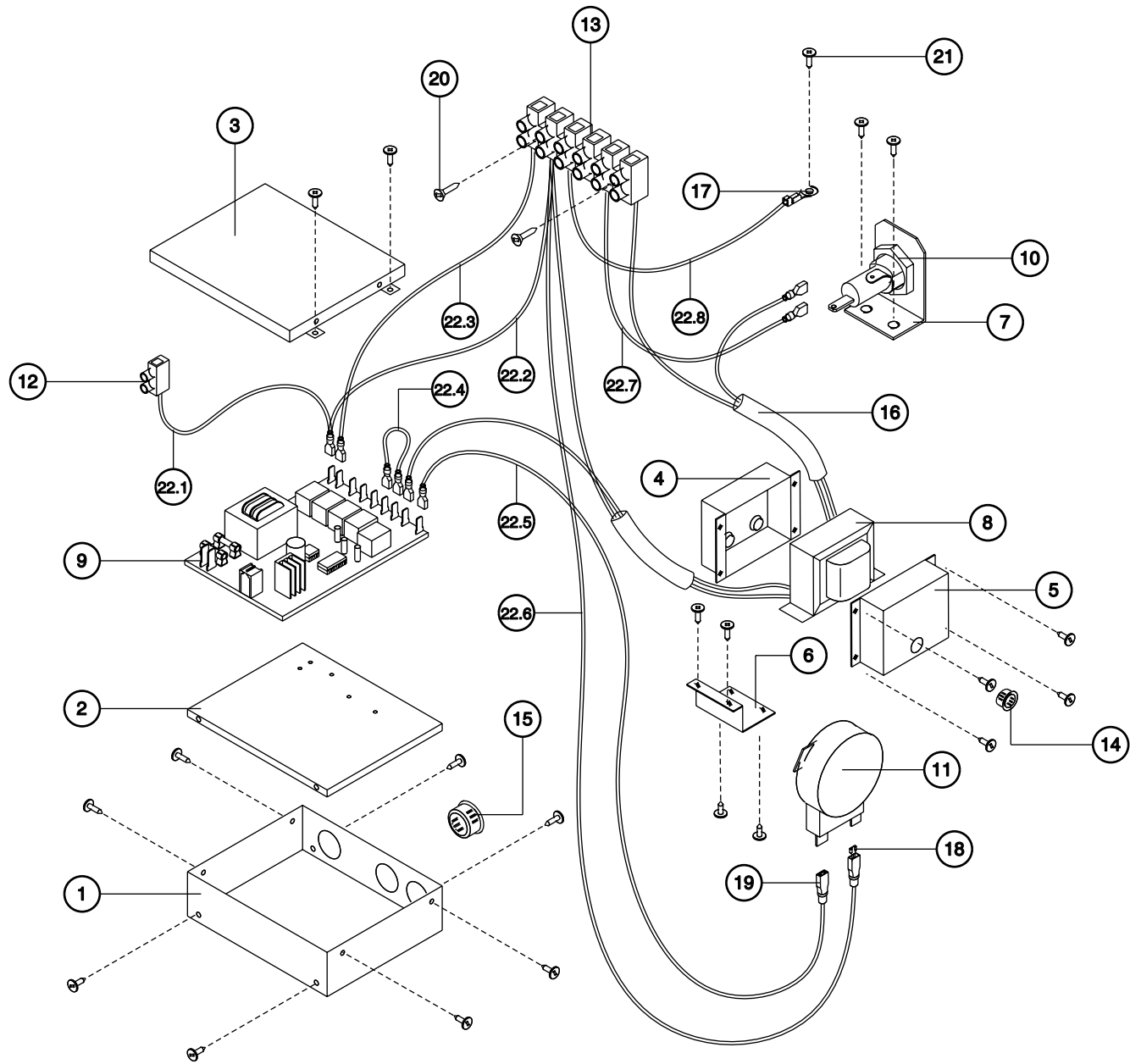
Note 1. This part is not sold separately.

Unit No . 06 From Model : CCFFW
Wire Set For Wireless



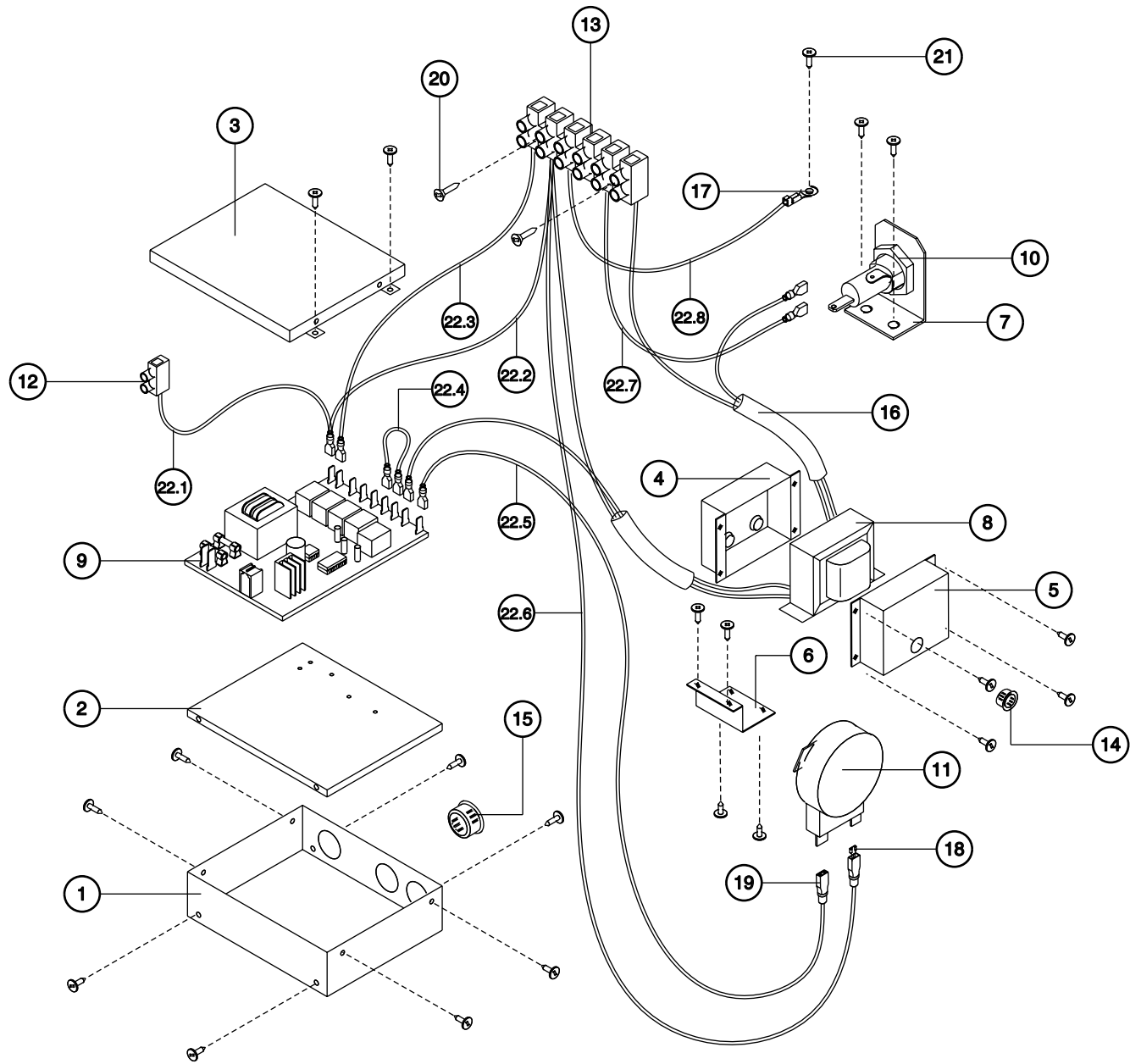
Index No .	Parts No .	Parts Name	Drawing No .	Type (Maker)	Quantity						Note	
					04	06	08	10	12	16		20
1	WDWL888-MB-1	Box Control		GI#20	1	1	1	1	1	1	1	
	WL888-MB-1	Box Control		GI#20	1	1	1	1	1	1	1	
	W888-MB-1	Box Control		GI#20	1	1	1	1	1	1	1	
2	WDWL888-MB-2	Support Box Control		GI#20	1	1	1	1	1	1	1	
	WL888-MB-2	Support Box Control		GI#20	1	1	1	1	1	1	1	
	W888-MB-2	Support Box Control		GI#20	1	1	1	1	1	1	1	
3	WDWL888-MB-3	Cover Box Control		GI#20	1	1	1	1	1	1	1	
	WL888-MB-3	Cover Box Control		GI#20	1	1	1	1	1	1	1	
	W888-MB-3	Cover Box Control		GI#20	1	1	1	1	1	1	1	
4	FFW 0300043	Cover Transformer LH		GI#20	1	1	1	1	1	1	1	
5	FFW 0300044	Cover Transformer RH		GI#20	1	1	1	1	1	1	1	
6	FFW 0300064	Support Transformer		GI#20	1	1	1	1	1	1	1	
7	FFW 0300065	Support Fuse		GI#20	1	1	1	1	1	1	1	
8	FFW 0200001	Transformer			1	1	1	1	1	1	1	
9	WDWL888-PCB	Main Board		.	1	1	1	1	1	1	1	
	WL888-PCB	Main Board		.	1	1	1	1	1	1	1	

Unit No . 06 From Model : CCFFW
Wire Set For Wireless



Index No .	Parts No .	Parts Name	Drawing No .	Type (Maker)	Quantity						Note	
					04	06	08	10	12	16		20
	W888-PCB	Main Board			1	1	1	1	1	1	1	
10	FFW 0200033	Fuse			1	1	1	1	1	1	1	
11	FFW 0200034	Motor Swing			1	1	1	1	1	1	1	
12	FFW 0200035	Terminal Block 1 Pole			1	1	1	1	1	1	1	
13	FFW 0200010	Terminal Block 6 Pole			1	1	1	1	1	1	1	
14	FFW 0200036	Bushing(Small)			1	1	1	1	1	1	1	
15	FFW 0200037	Bushing(Big)			3	3	3	3	3	3	3	
16	FFW 0200016	PVC Tube		12 MM.	2	2	2	2	2	2	2	

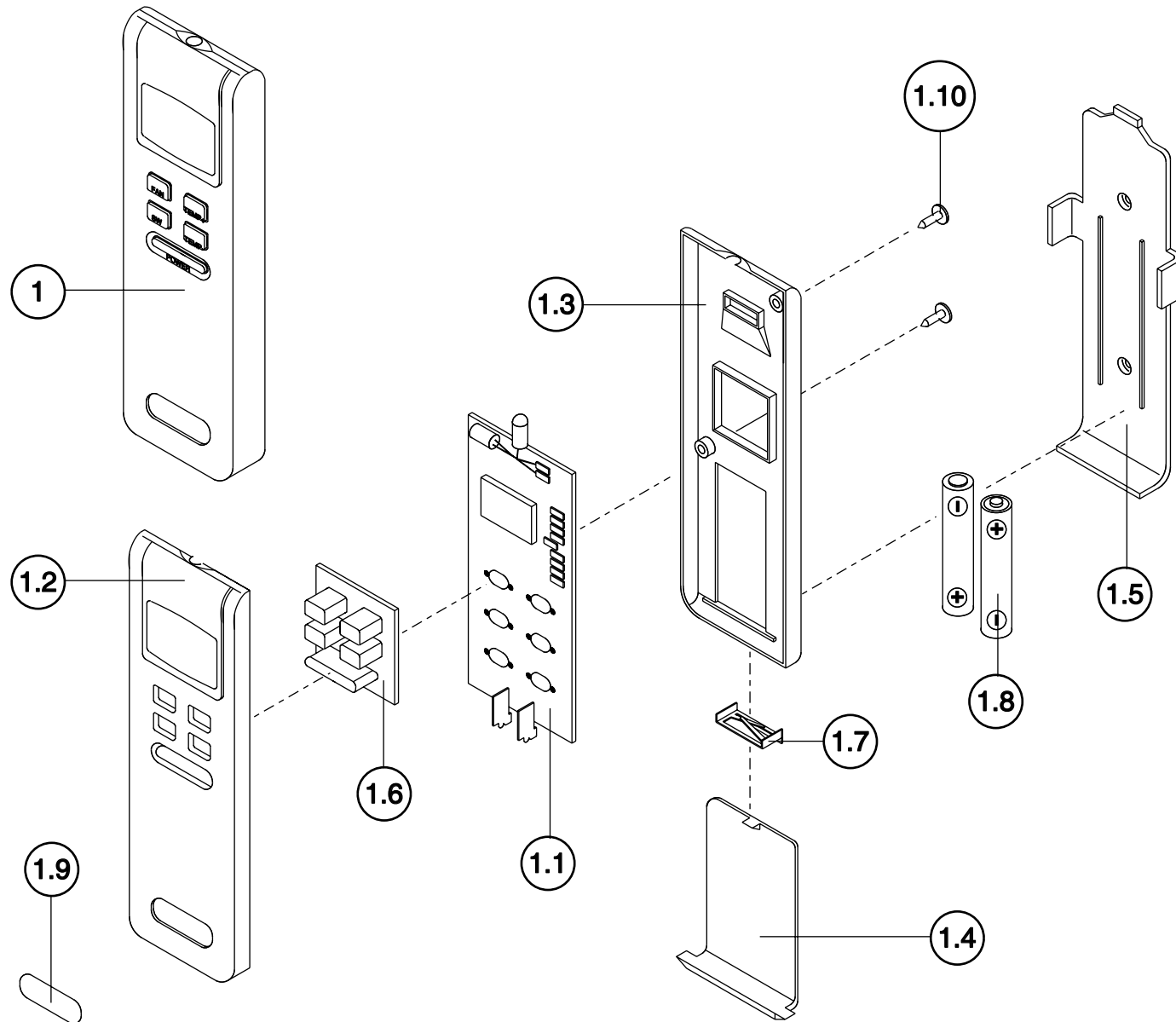
Unit No . 06 From Model : CCFFW
Wire Set For Wireless



Index No .	Parts No .	Parts Name	Drawing No .	Type (Maker)	Quantity						Note	
					04	06	08	10	12	16		20
17	FFW 0200015	Ring Jack(Small)			1	1	1	1	1	1	1	
18	FFW 0200011	Quick Connector Terminal			10	10	10	10	10	10	10	
19	FFW 0200012	Quick Connector Terminal Sleeve			10	10	10	10	10	10	10	
20	0700009	Drywall Screws		No 8 lgth.1"	2	2	2	2	2	2	2	
21	0700002	Tapping Screws		No 8 lgth.1/2"	21	21	21	21	21	21	21	
22		Wire Set										See Note 1.
22.1	FFW 0200025	Black Wire		18 AWG	1	1	1	1	1	1	1	
22.2	FFW 0200026	Black Wire		18 AWG	1	1	1	1	1	1	1	
22.3	FFW 0200027	Red Wire		18 AWG	1	1	1	1	1	1	1	
22.4	FFW 0200028	Yellow Wire		18 AWG	1	1	1	1	1	1	1	
22.5	FFW 0200029	Red Wire		18 AWG	1	1	1	1	1	1	1	
22.6	FFW 0200030	Black Wire		18 AWG	1	1	1	1	1	1	1	
22.7	FFW 0200031	Yellow Wire		18 AWG	1	1	1	1	1	1	1	
22.8	FFW 0200032	Green Wire		18 AWG	1	1	1	1	1	1	1	

Note 1. This part is not sold separately.

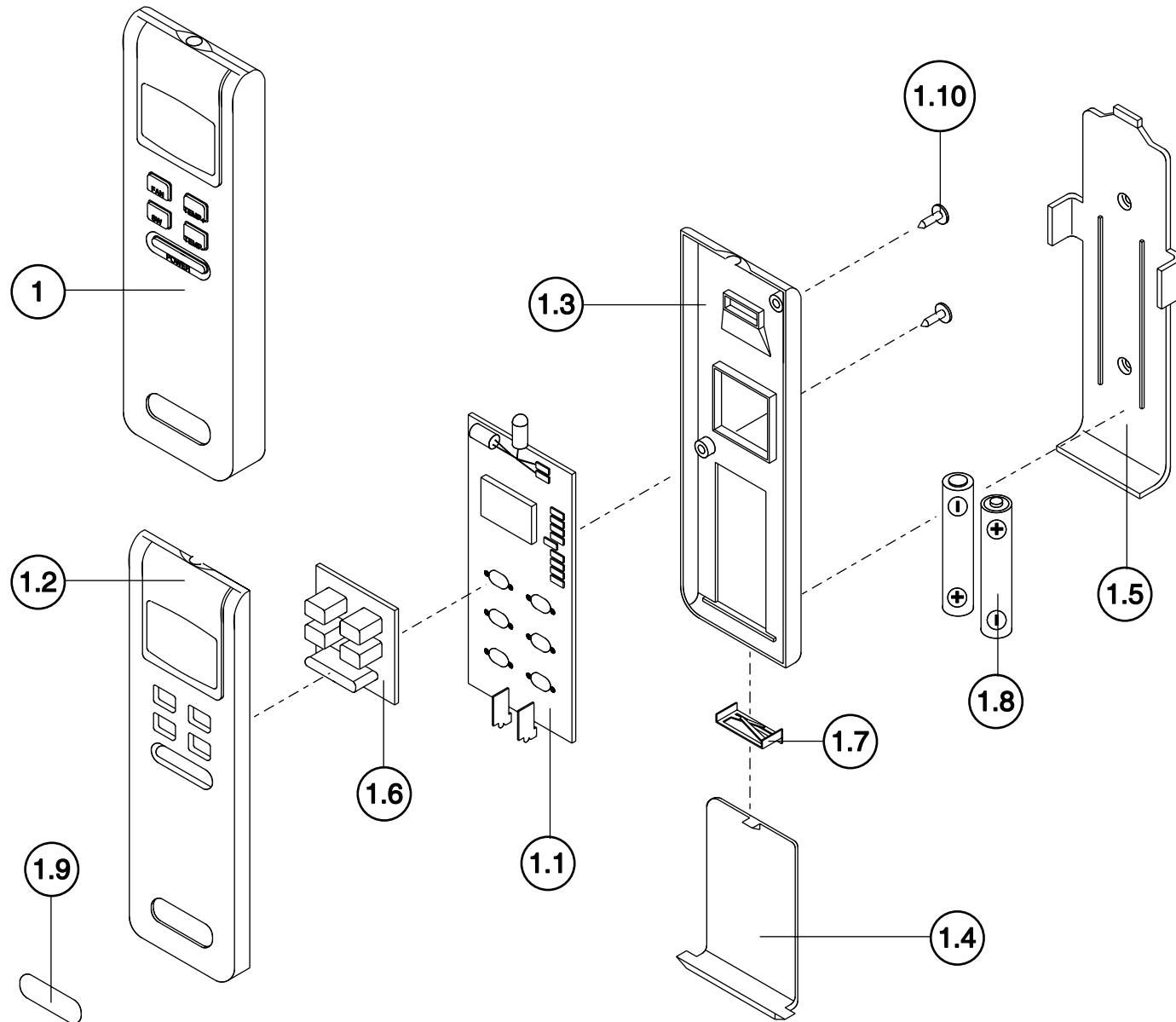
Unit No . 07 From Model : CCFFW
Remote For Wireless



Index No .	Parts No .	Parts Name	Drawing No .	Type (Maker)	Quantity							Note
					04	06	08	10	12	16	20	
1	WL8885A-HS	REMOTE ASSY FOR WIRELESS										See Note 1.
1.1	WL8885A-HS-1	Main Board For Remote Wireless			1	1	1	1	1	1	1	
1.2	WL8885A-HS-2	Remote Cover		PLASTIC	1	1	1	1	1	1	1	
1.3	WL8885A-HS-3	Remote Support		PLASTIC	1	1	1	1	1	1	1	
1.4	WL8885A-HS-4	Cover For Battery		PLASTIC	1	1	1	1	1	1	1	
1.5	WL8885A-HS-5	Bracket Remote For Wireless		PLASTIC	1	1	1	1	1	1	1	
1.6	WL8885A-HS-6	Remote Rubber Pad		RUBBER	1	1	1	1	1	1	1	
1.7	WL8885A-HS-7	Support For Battery			1	1	1	1	1	1	1	
1.8	WL8885A-HS-8	Battery		AAA	2	2	2	2	2	2	2	
1.9	WL8885A-HS-9	Logo Plate		STICKER	1	1	1	1	1	1	1	
1.10	0700029	Tapping Screws		No 2 Lgth.1/4"	2	2	2	2	2	2	2	

Note 1. This part is not sold separately.

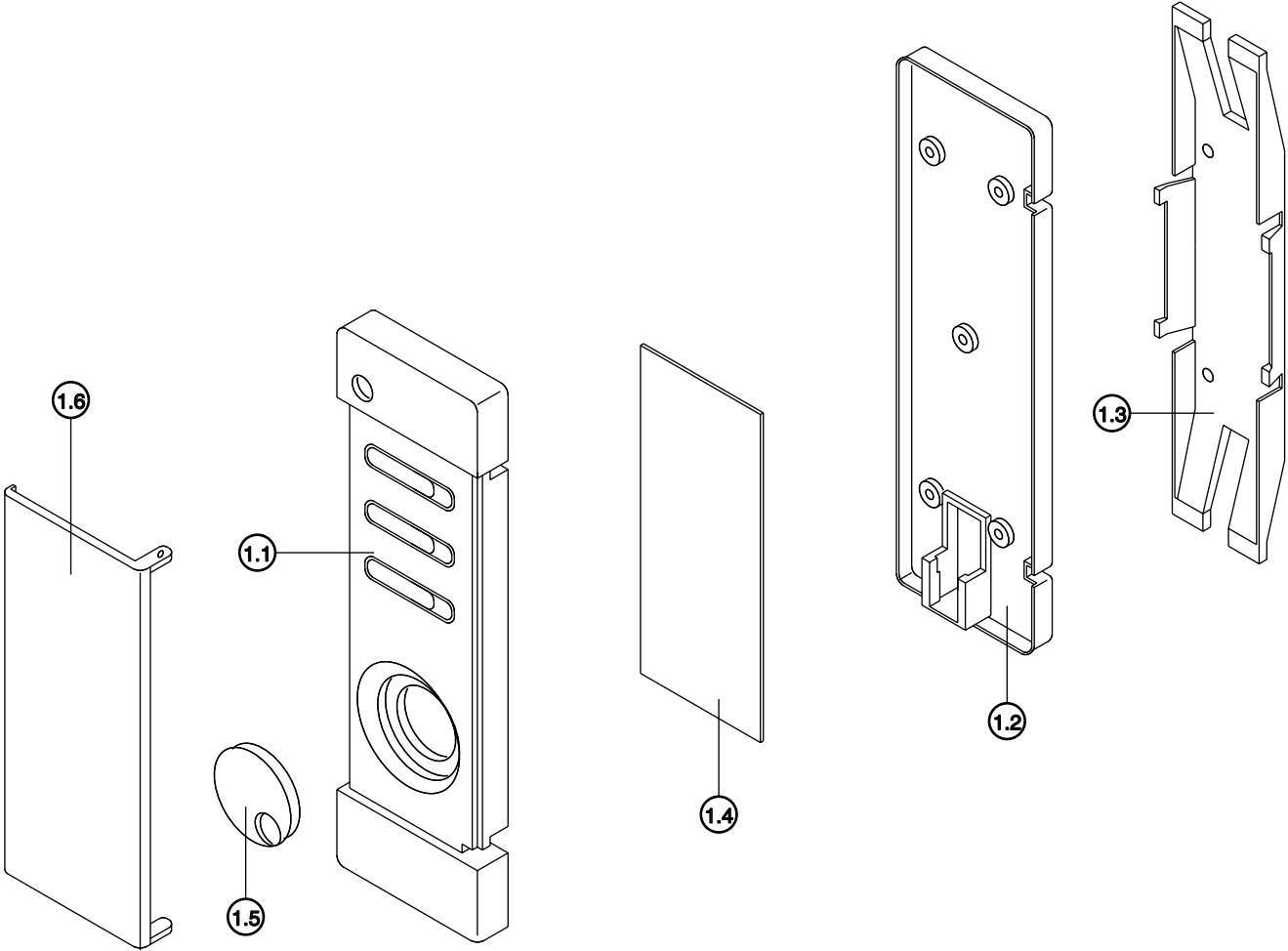
Unit No . 08 From Model : CCFFW
Remote For Wired Wireless



Index No .	Parts No .	Parts Name	Drawing No .	Type (Maker)	Quantity							Note
					04	06	08	10	12	16	20	
1	WL8885A-HS	Remote Assy For Wired Wireless										See Note 1.
1.1	WL8885A-HS-1	Main For Remote Wired Wireless			1	1	1	1	1	1	1	
1.2	WL8885A-HS-2	Remote Cover		PLASTIC	1	1	1	1	1	1	1	
1.3	WL8885A-HS-3	Remote Support		PLASTIC	1	1	1	1	1	1	1	
1.4	WL8885A-HS-4	Cover For Battery		PLASTIC	1	1	1	1	1	1	1	
1.5	WL8885A-HS-5	Bracket Remote For Wired		PLASTIC	1	1	1	1	1	1	1	
1.6	WL8885A-HS-6	Remote Rubber Pad		RUBBER	1	1	1	1	1	1	1	
1.7	WL8885A-HS-7	Support For Battery			1	1	1	1	1	1	1	
1.8	WL8885A-HS-8	Battery		AAA	2	2	2	2	2	2	2	
1.9	WL8885A-HS-9	Logo Plate		STICKER	1	1	1	1	1	1	1	
1.10	0700029	Tapping Screws		No 2 Lgth.1/4"	2	2	2	2	2	2	2	

Note 1. This part is not sold separately.

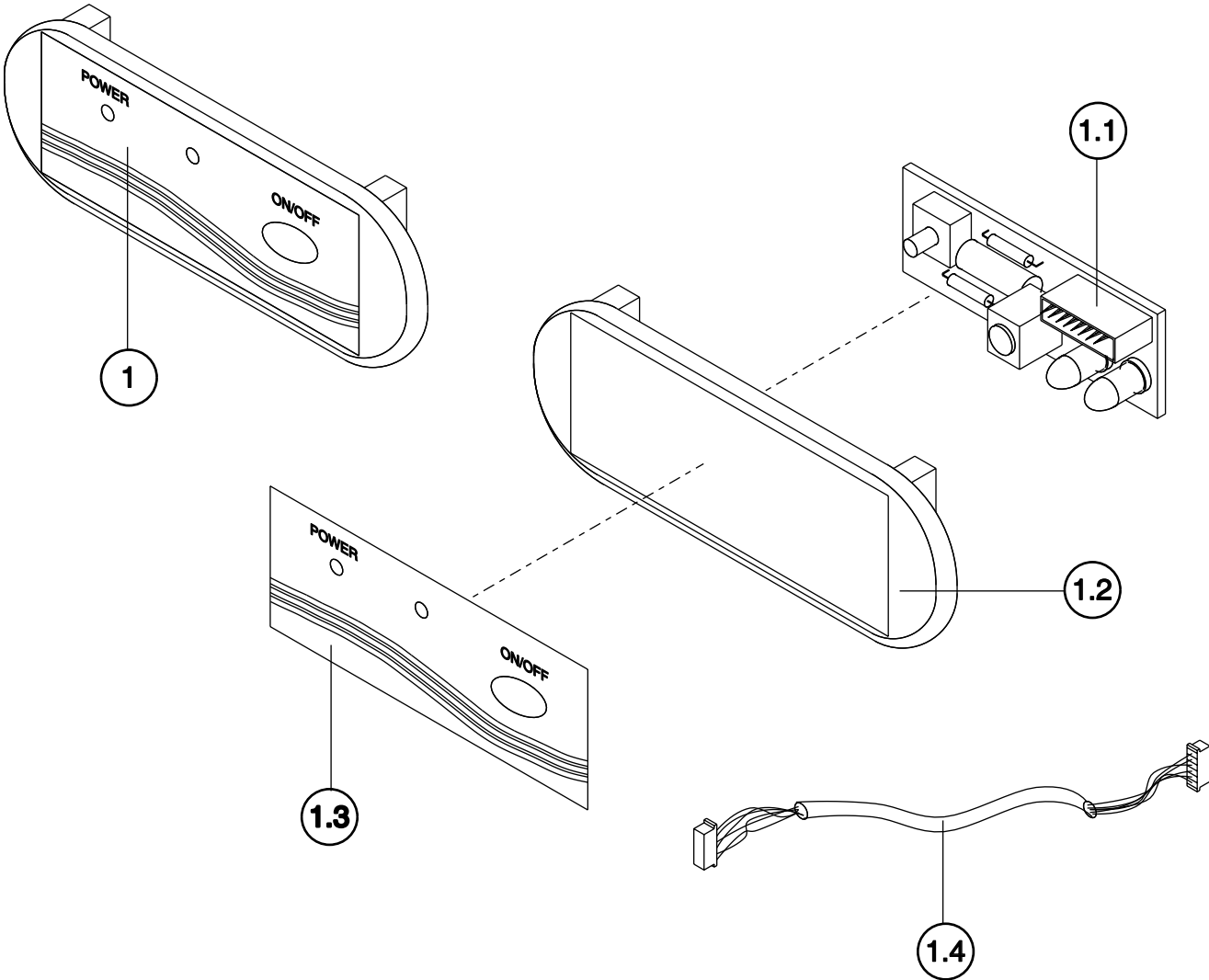
Unit No . 09 From Model : CCFFW
Remote Long Body



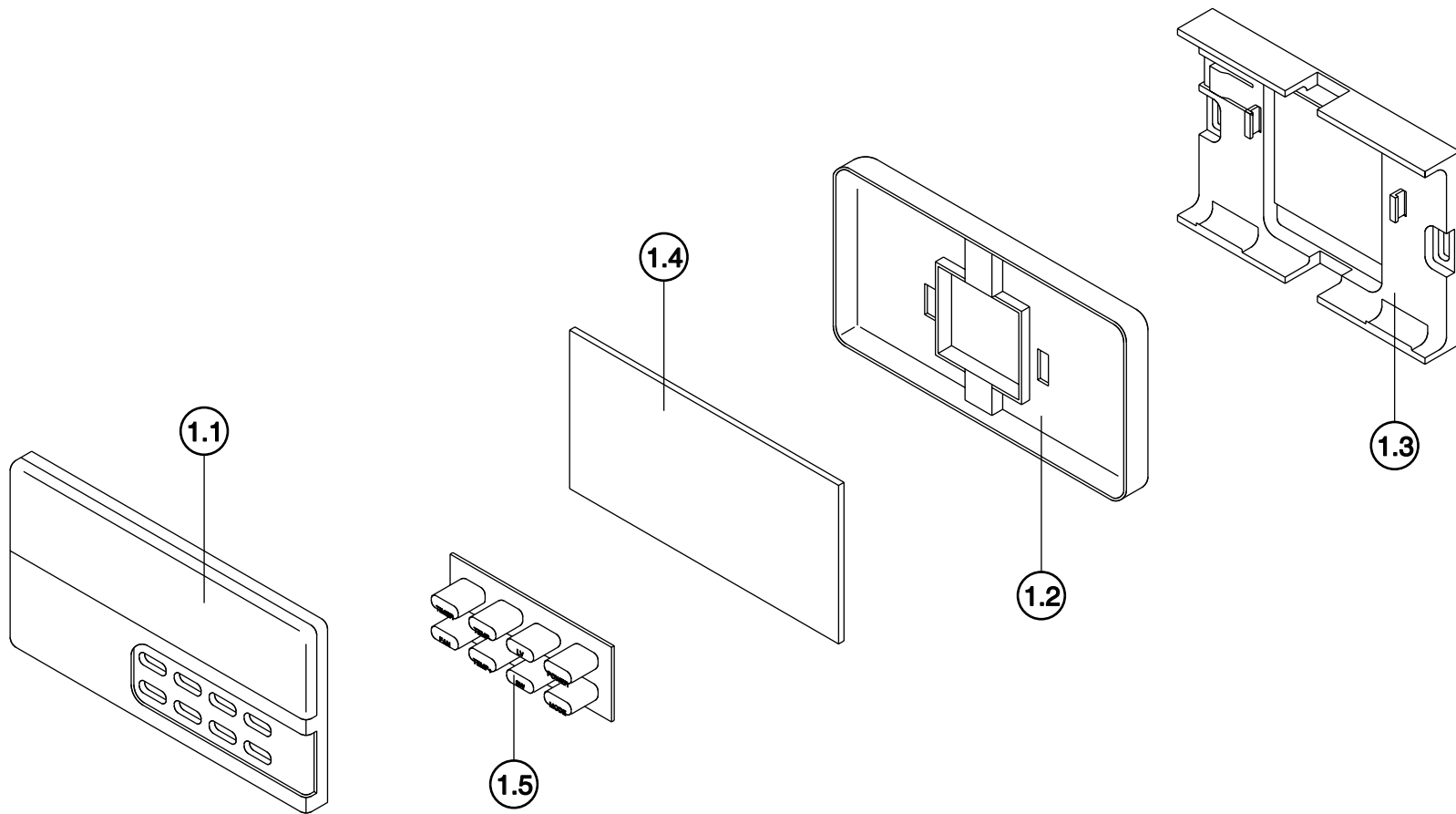
Index No .	Parts No .	Parts Name	Drawing No .	Type (Maker)	Quantity							Note
					04	06	08	10	12	16	20	
1	W888-HS	REMOTE ASSY FOR LONG BODY										See Note 1.
1.1	W888-HS-1	Remote Cover		PLASTIC	1	1	1	1	1	1	1	
1.2	W888-HS-2	Remote Support		PLASTIC	1	1	1	1	1	1	1	
1.3	W888-HS-3	Bucket Remote		PLASTIC	1	1	1	1	1	1	1	
1.4	W888-HS-4	Main Board			1	1	1	1	1	1	1	
1.5	W888-HS-5	Return Remote		PLASTIC	1	1	1	1	1	1	1	
1.6	W888-HS-6	Remote Cover Front		PLASTIC	1	1	1	1	1	1	1	

Note 1. This part is not sold separately.

Unit No . 10 From Model : CCFFW
Receiver For Wireless



Unit No . 11 From Model : CCFFW
Receiver



Index No .	Parts No .	Parts Name	Drawing No .	Type (Maker)	Quantity							Note
					04	06	08	10	12	16	20	
1	WDWL888-DS	Receiver Assy For Wired Wireless										See Note 1.
1.1	WDWL888-DS-1	Receiver Cover		PLASTIC	1	1	1	1	1	1	1	
1.2	WDWL888-DS-2	Receiver Support		PLASTIC	1	1	1	1	1	1	1	
1.3	WDWL888-DS-3	Backet Receiver		PLASTIC	1	1	1	1	1	1	1	
1.4	WDWL888-DS-4	Main Board Receiver			1	1	1	1	1	1	1	
1.5	WL8885A-HS-5	Rubber Pad		RUBBER	1	1	1	1	1	1	1	

Note 1. This part is not sold separately.